



山东镭之源激光科技股份有限公司  
Shandong Laser Source Technology Co., Ltd



山东镭之源激光科技股份有限公司



## X/XA Series CO2 Laser Power Supply



## 1、Product Feature :

Strong versatility: small size, light weight, consistent installation ports for different power supplies, easy to install and replace, widely used, and sell well at home and abroad.

Good compatibility: it can perfectly match the vast majority of 30W-150W CO2 lasers at home and abroad.

XA series:

(1) Self-contained liquid crystal display: digital display of current size, light output indication, light output signal and water protection signal can indicate normal and faulty signals, and the integrated potentiometer can manually adjust the current.

(2) The size of the installation hole is the same: the size of the opening of the liquid crystal display screen and the original pointer ammeter are the same, and there is no need to open the hole separately.

The safety of laser equipment is higher: it has the function of open circuit protection, which significantly prolongs the life of the power supply.

Simple laser power control: it can be controlled by 0~5V analog signal or by 5V PWM signal.

The cutting machine and the engraving machine are compatible: the cutting power is sufficient and the speed is fast; the engraving and marking effect is good, and the engraving bottom surface is smooth.

The power supply itself has a manual light output test function, which is convenient for customers to maintain on-site.

With status indicator light, fault diagnosis is easy.

## 2、Application Area :

Application areas: laser engraving machine, laser cutting machine, laser marking machine, leather cutting machine, clothing cutting machine, shoe pattern cutting machine, advertising engraving machine, leather engraving machine, glass engraving machine, laser bag opening machine, laser punching machine etc.

## 3、X/XA series laser power supply parameters



Model	X50/XA50	X60/XA60	X80/XA80	X100/XA100	X150/ XA150
Input voltage	AC220V ( 110V can be customized )				
AC frequency	47---440Hz				
Max input power	250W	300W	450W	600W	750W
Max input current	1A	1.5A	2.3A	2.7A	3.5A
Max output voltage	DC 25KV	DC 25KV	DC 30KV	DC 35KV	DC 40KV
Max output current	DC 20mA	DC 22mA	DC 25mA	DC 32mA	DC 35mA
Efficient	≥90% ( Full Load )				
Normal working hours	≥10000 hours				
Responding speed	≤1mS ( The time from the switch signal given to the output current rising to 90% of the set current )				
Pressure resistance	Input-Output ,Input-Shell:AC1500V 10mA 60s; The output negative electrode is connected to the Shell.				
Use environment	Working Temperature (-10~40) °C , relative humidity: ≤90%				
Cooling form	Forced Air Cooling				
Matching laser tube power	30-50W	50-60W	60-80W	80-100W	130-150W
Dimensions L*W*H(mm)	194*158*90	194*158*90	228*158*90	263*158*90	345*158*90
Shell color	Black	Black	Black	Black	Black
Net weight (KG)	1.7	1.7	2.2	2.5	3.6



## 4、X/XA Series Laser Power install Dimension Drawing

### 数显电流表及电位器说明



正常显示状态



无激光信号显示状态



无水保护显示状态

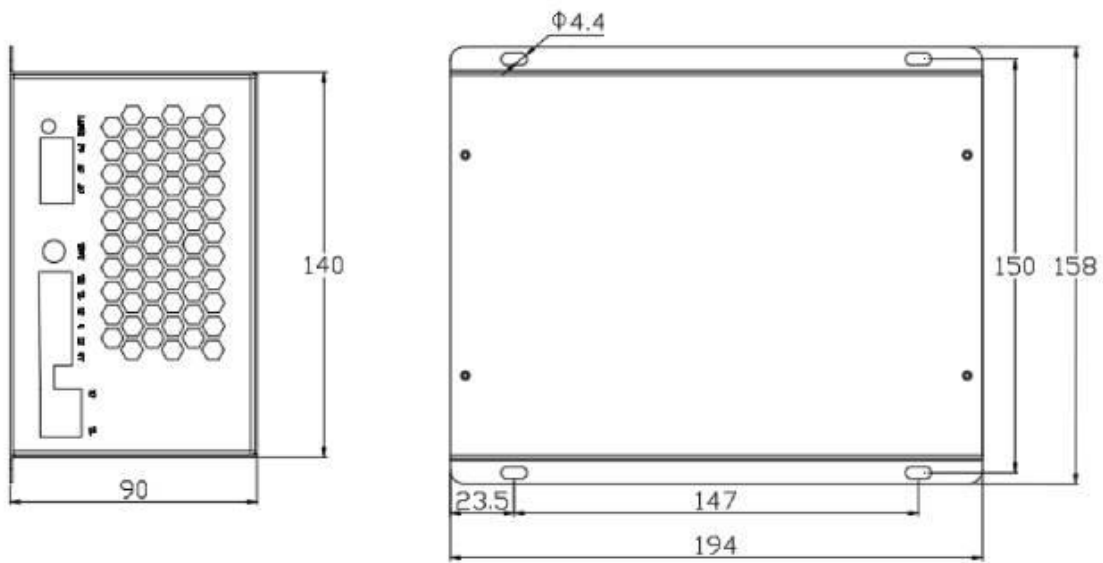


无水保护及激光信号显示状态

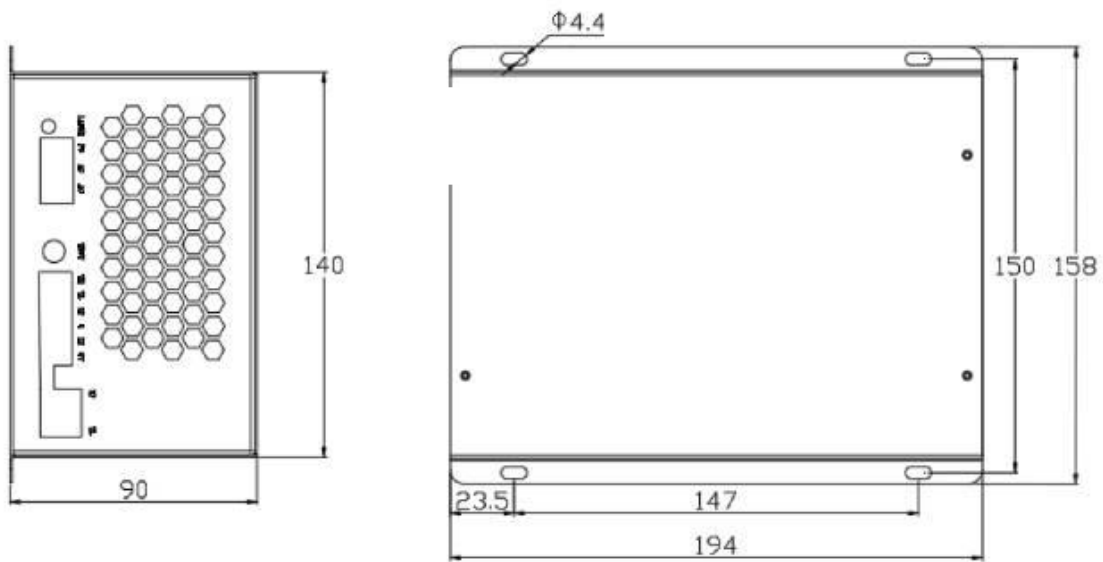


自带电位器  
(调节电流大小, 控制功率输出)

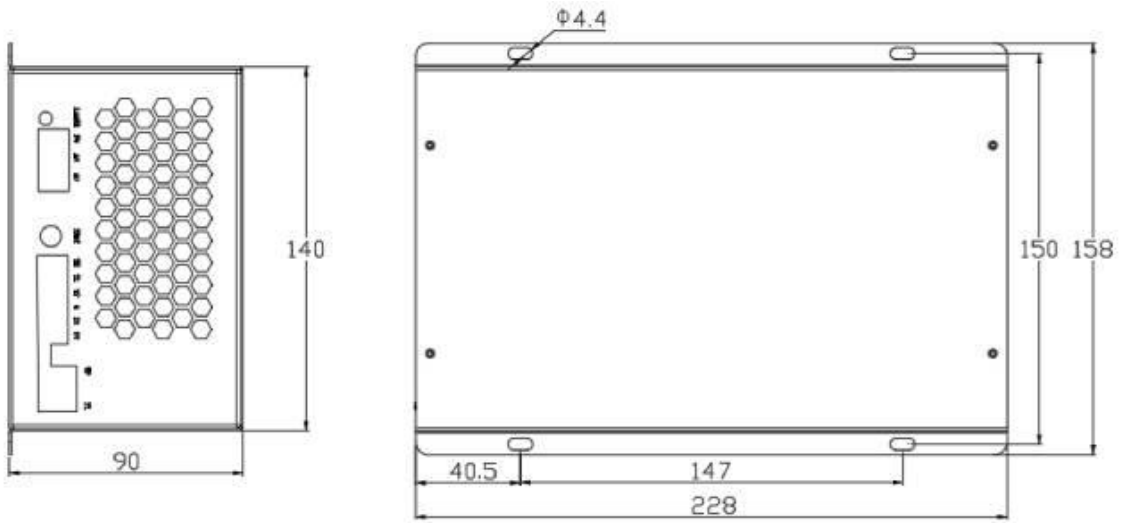
激光管异常显示  
闪烁: 激光管损坏或未接  
无显示: 激光电源坏



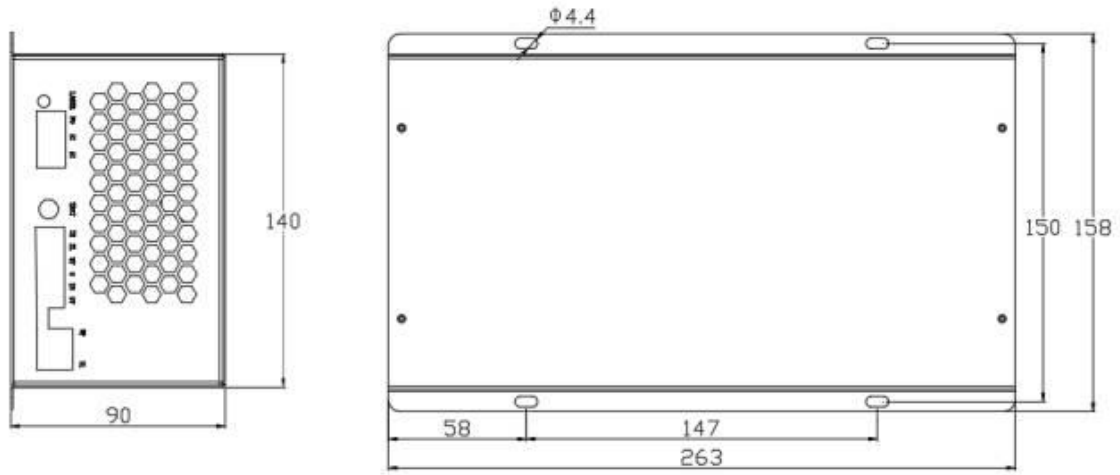
HY-X50/XA50



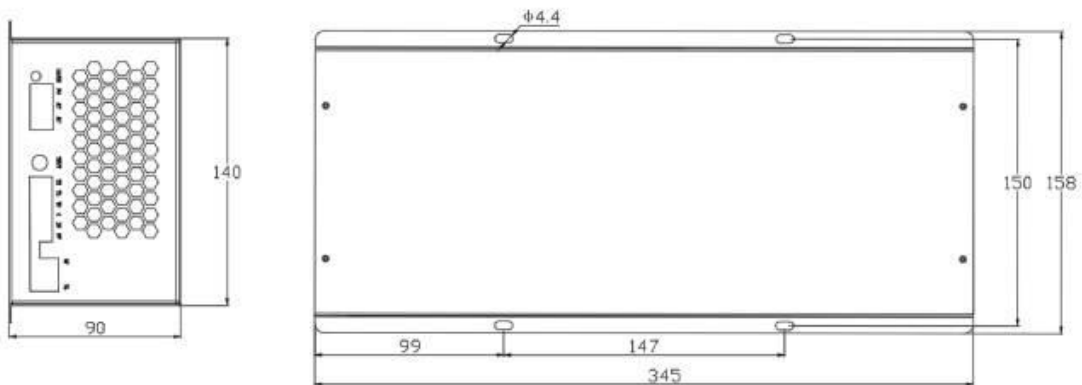
HY-X60/XA60



HY-X80/XA80



HY-X100/XA100



HY-X150/XA150