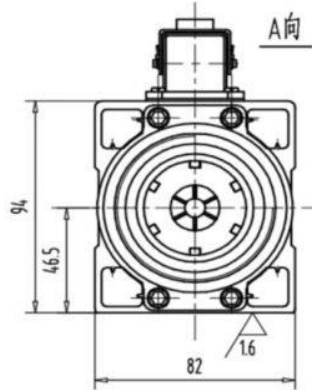
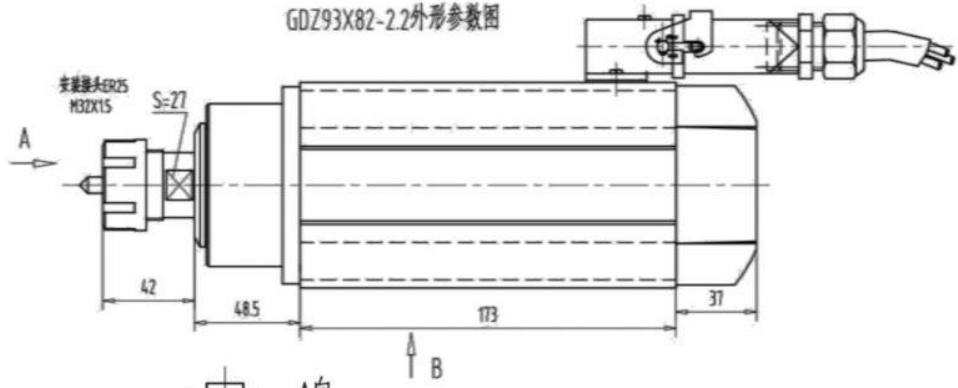
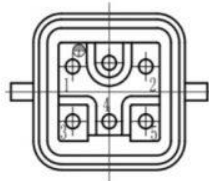
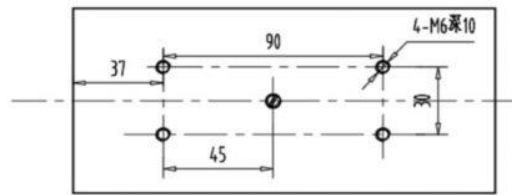


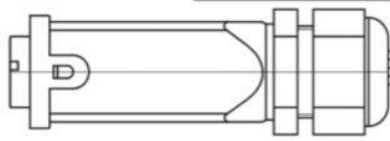
GDZ93X82-2.2外形参数图



B向 壳体底板



The grounding line connect to the grounding mark



The red line connect to the 2 match to the inverter phase U

The yellow line connect to the 3 match to the inverter phase V

The blue line connect to the 4 match to the inverter phase W