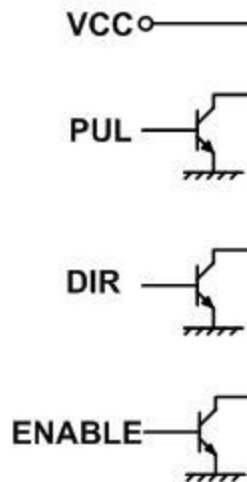
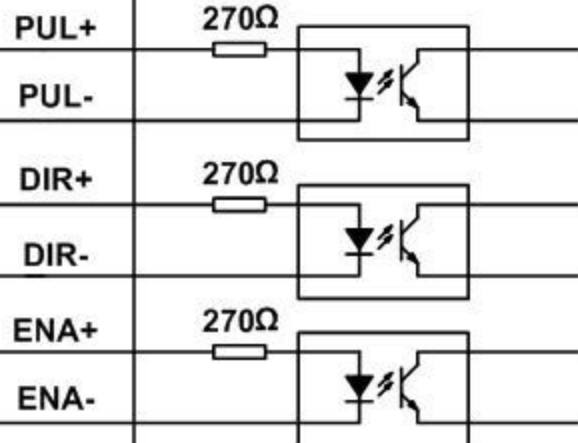


## Controller



## DM422 Drive



+20 ~ +36 VDC

+Vdc

GND

Stepping Motor

A+

A-

B+

B-

R=0 if VCC=5V;  
R=1K(Power>0.125W) if VCC=12V;  
R=2K(Power>0.125W) if VCC=24V;  
R must be connected to control signal terminal.