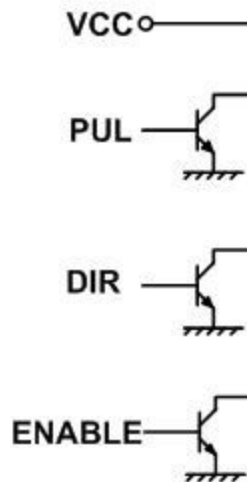
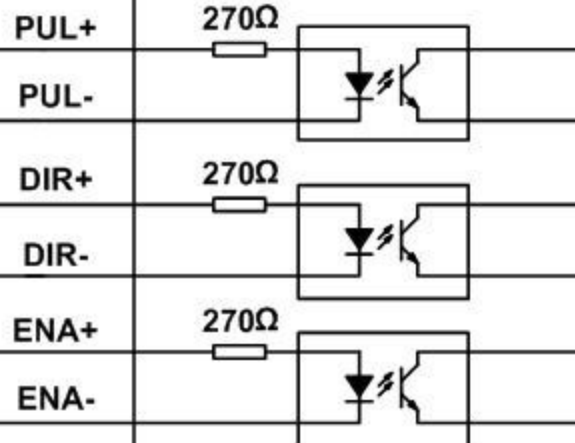


Controller



DM856 Driver



+20 ~ +68 VDC

VDC

GND

Stepping Motor

A+

A-

B+

B-

R=0 if VCC=5V;
R=1K(Power>0.125W) if VCC=12V;
R=2K(Power>0.125W) if VCC=24V;
R must be connected to control signal terminal.