

此页不印刷

xTool D1 Pro_快速指南_英文_D1.1.3_KD010460000

成品尺寸:210*280mm

展开尺寸:420*280mm

材质:封面157g铜版纸,内页100g铜版纸

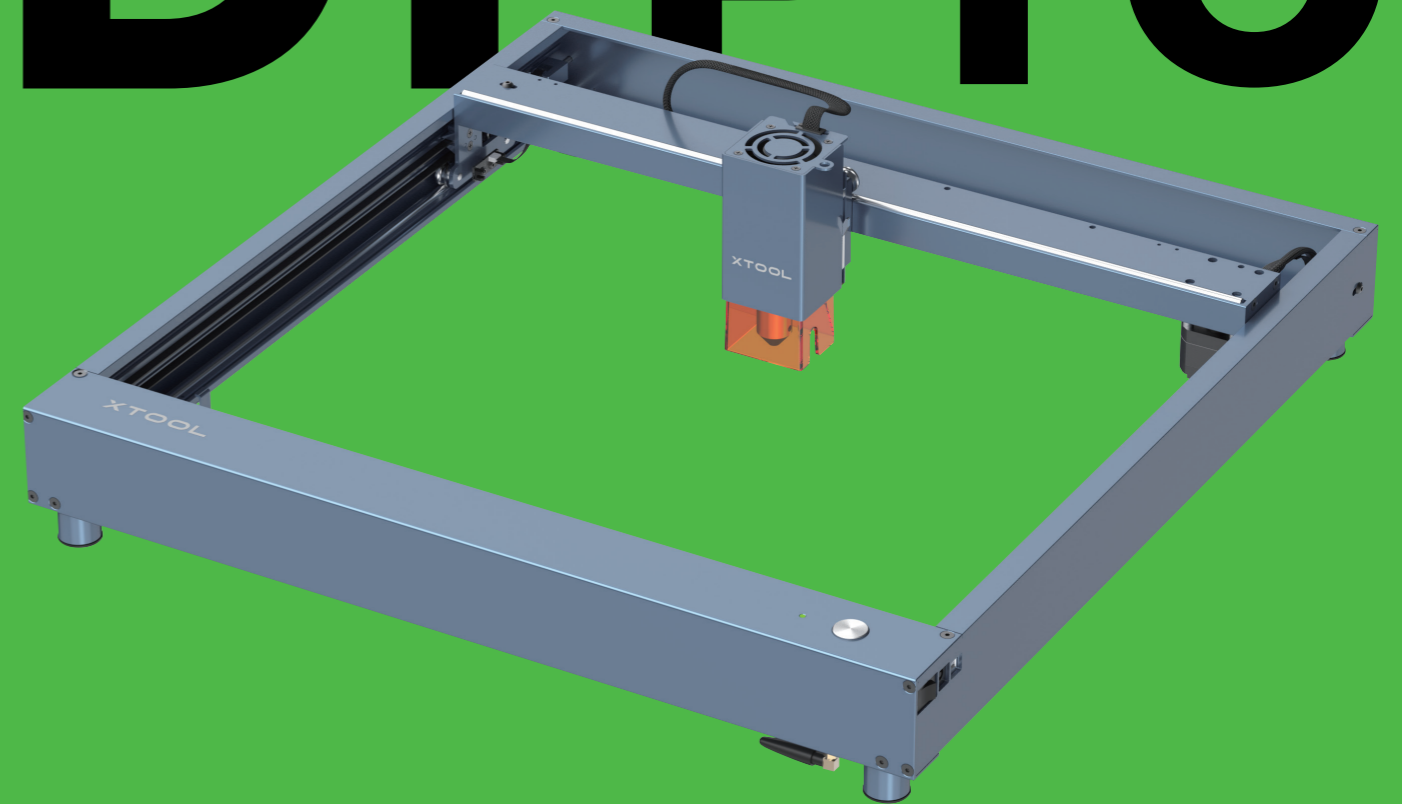
工艺:封面覆哑膜,双面CMYK印刷,骑马钉

XTOOL

Quick Start Guide

XTOOL

D1 Pro



THANK YOU!

Dear xTooler:

Thank you for purchasing xTool D1 Pro. We are so grateful for your recognition, and sincerely hope you will enjoy this product!

xTool D1 Pro is a high-accuracy and high-power laser engraver and laser cutter. From novice to expert, from home use to business, xTool D1 Pro is ready to give you the best laser engraving & cutting experience.

Our mission is to make it easier for everyone to create with our machine. We attach great importance to product experience and user suggestions. Please let us know if you have any questions at anytime, we are always here to help. You can join our facebook group which gathers 25000+ innovators like you, to share creative ideas and get inspired by others.

By visiting our online store, you can also find our latest accessories and various materials to maximize the magic of xTool D1 Pro.

Thanks again for your support, and we will consistently provide quality products and services in the future.

Sincerely,

 CEO

Official Website: www.xtool.com

Facebook Group: [xTool D1 Official Group](#) / [Makeblock xTool Official Group](#)

Support Center: support.xtool.com

Technical Support: support@xtool.com

Unbox and check	1
Assemble xTool D1 Pro	4
Meet your xTool D1 Pro	26
Set up xTool D1 Pro	27
Download and install software	30
Create with example projects	31
Use Rotary Attachment 2	33
Clean the laser module	40

Unbox and check

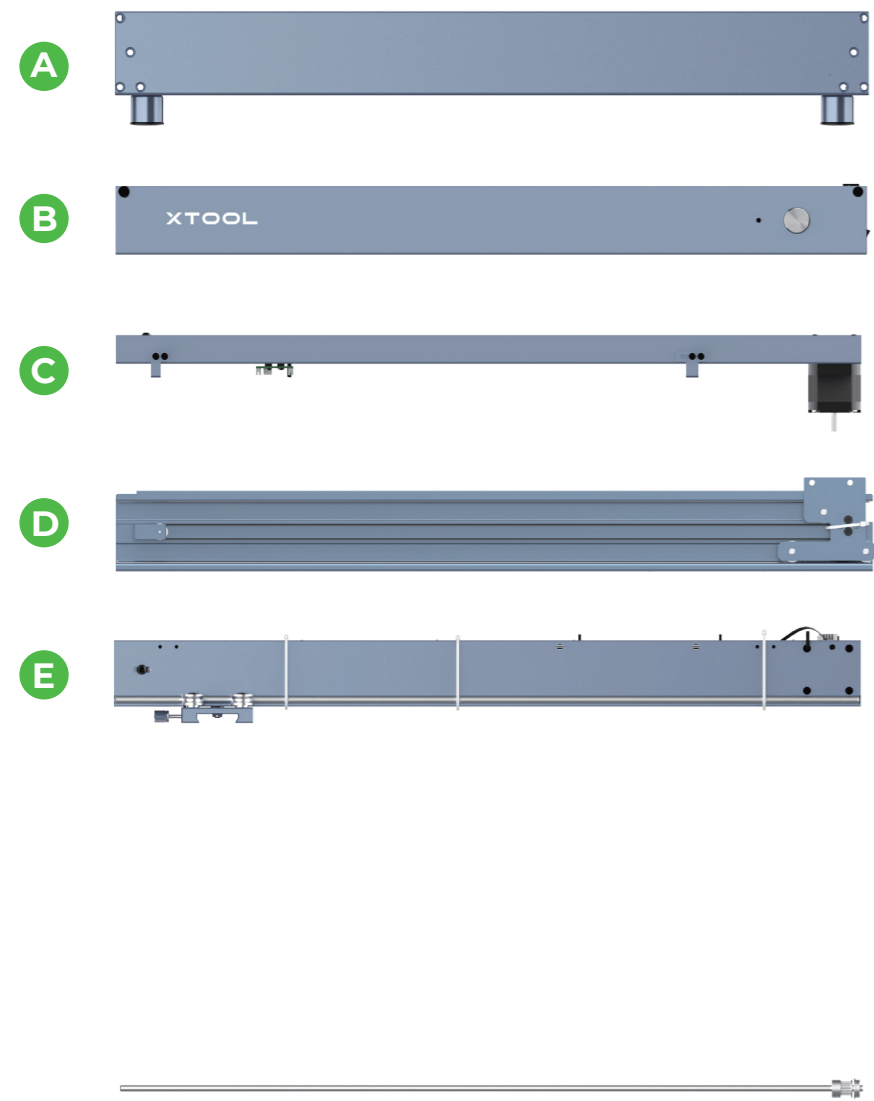
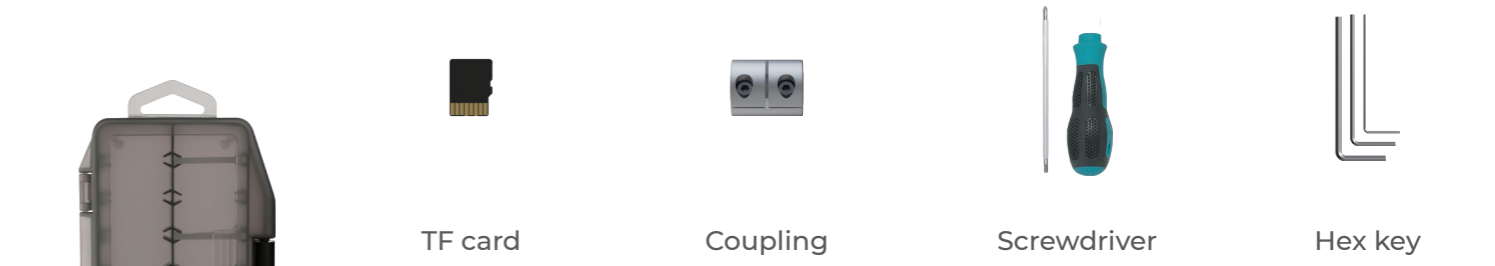


Plate components



Laser module Safety goggles Material pack



Quick Start Guide/
Instructions/
Brochure Aluminum sheet A4

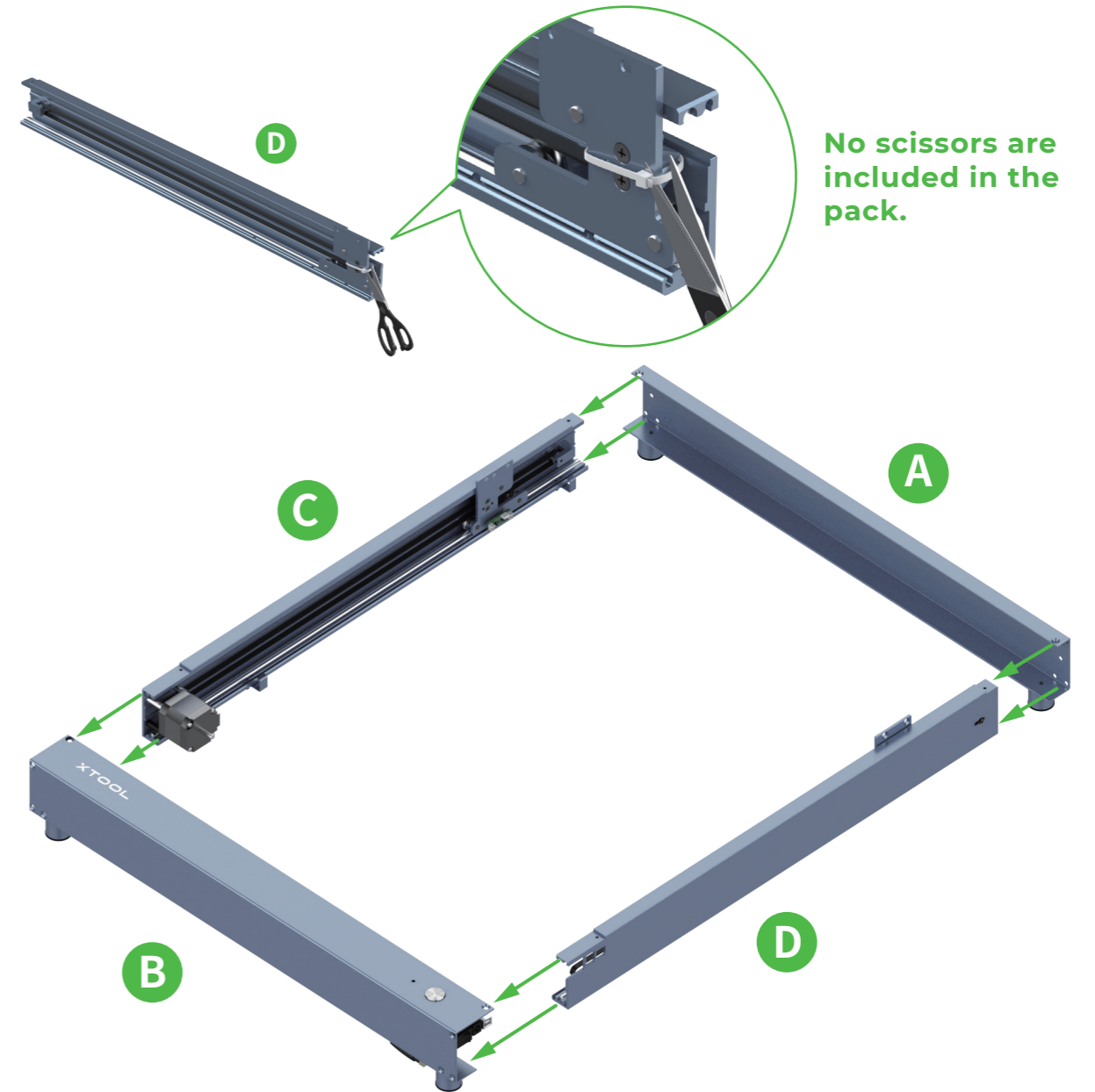
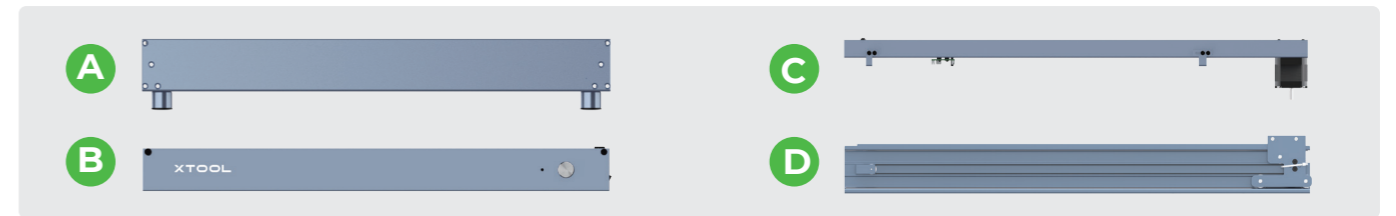


Riser
(included only in some packs) Rotary Attachment 2 components
(included only in some packs)



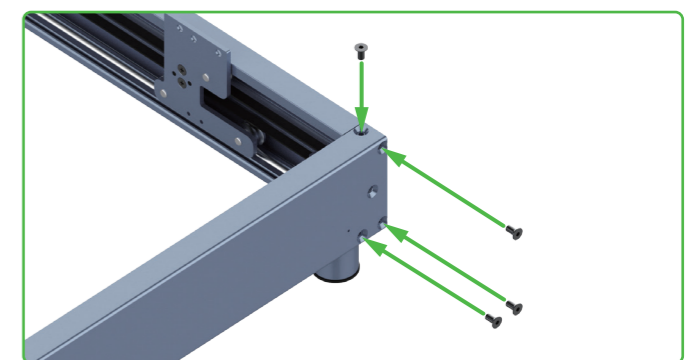
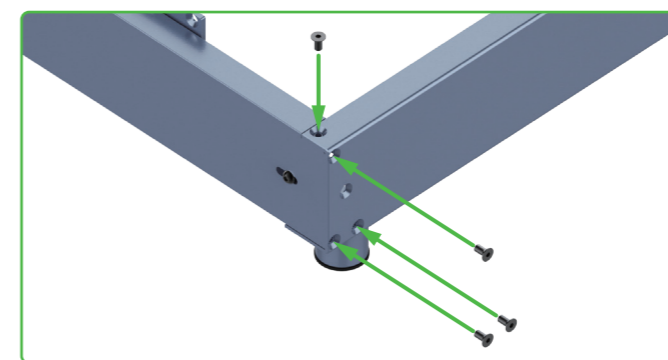
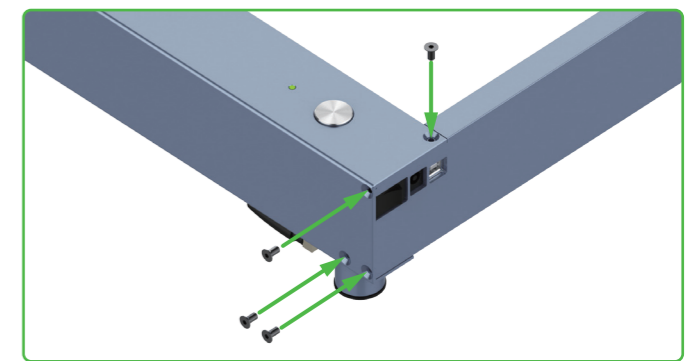
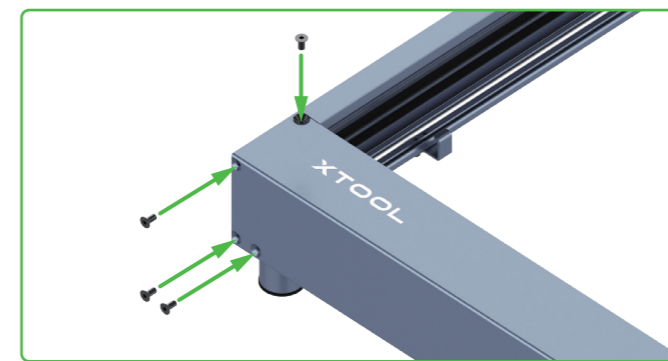
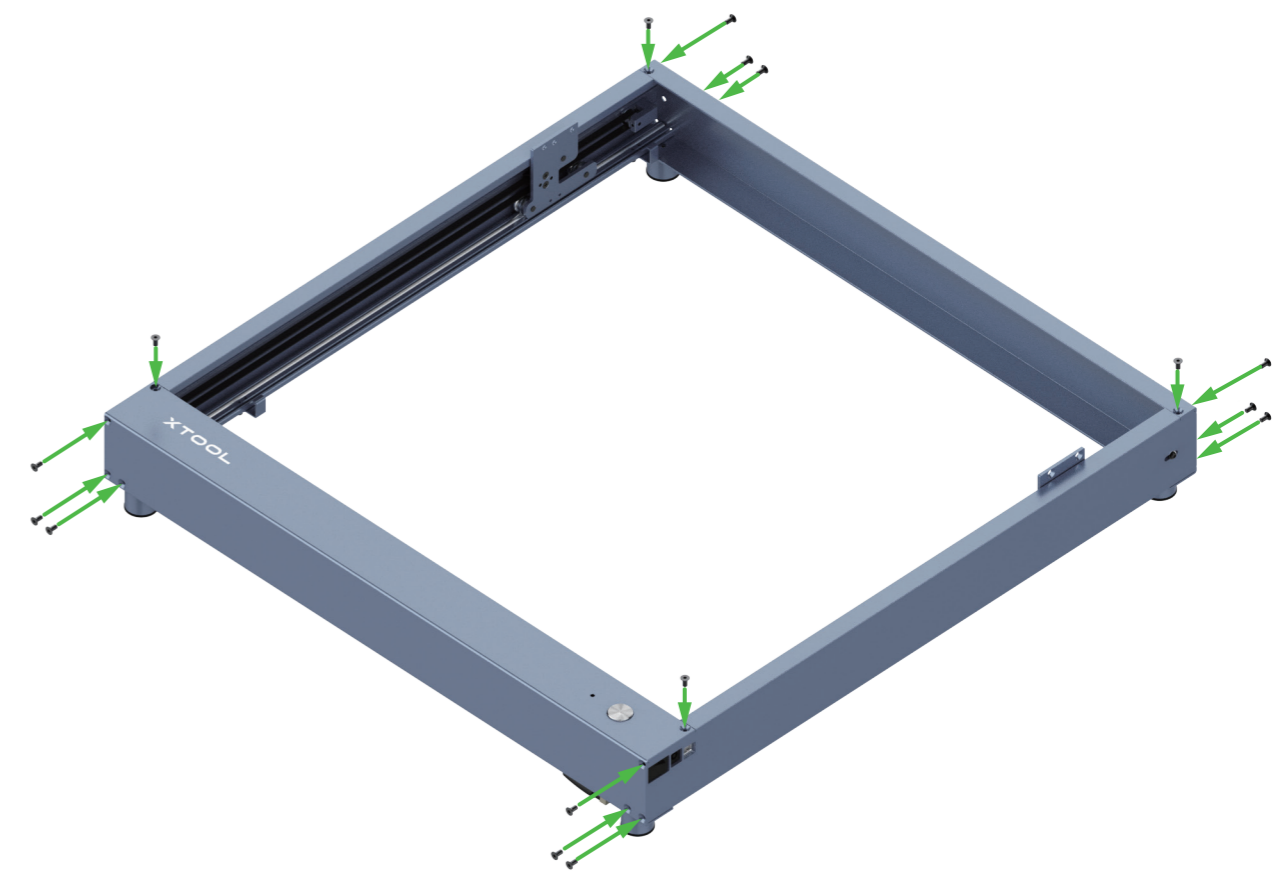
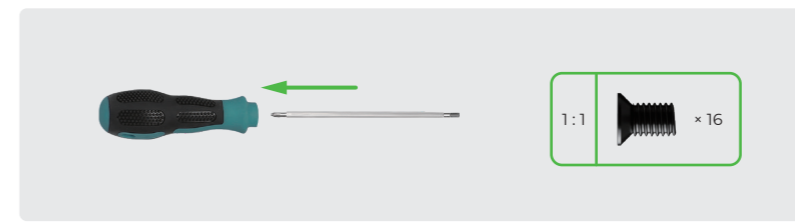
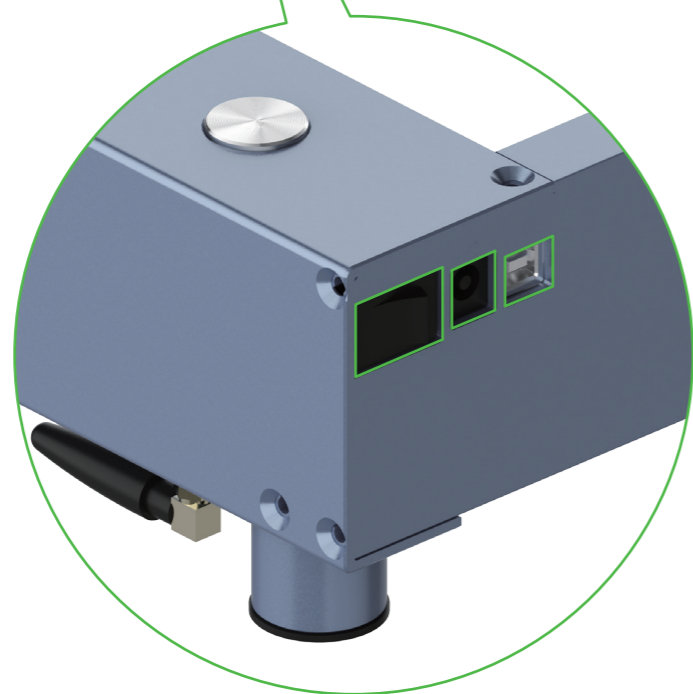
The secret to getting ahead is getting started.
Are you ready to embark on a creative journey?
Let's go!

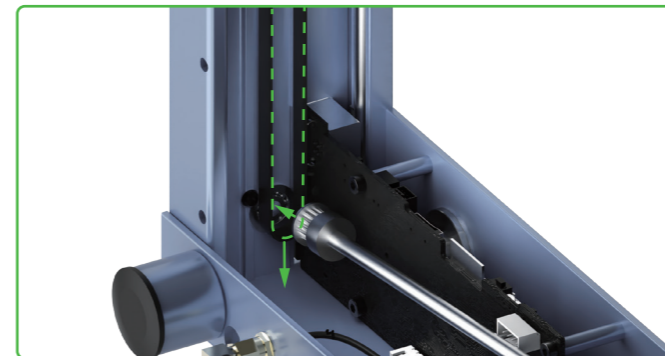
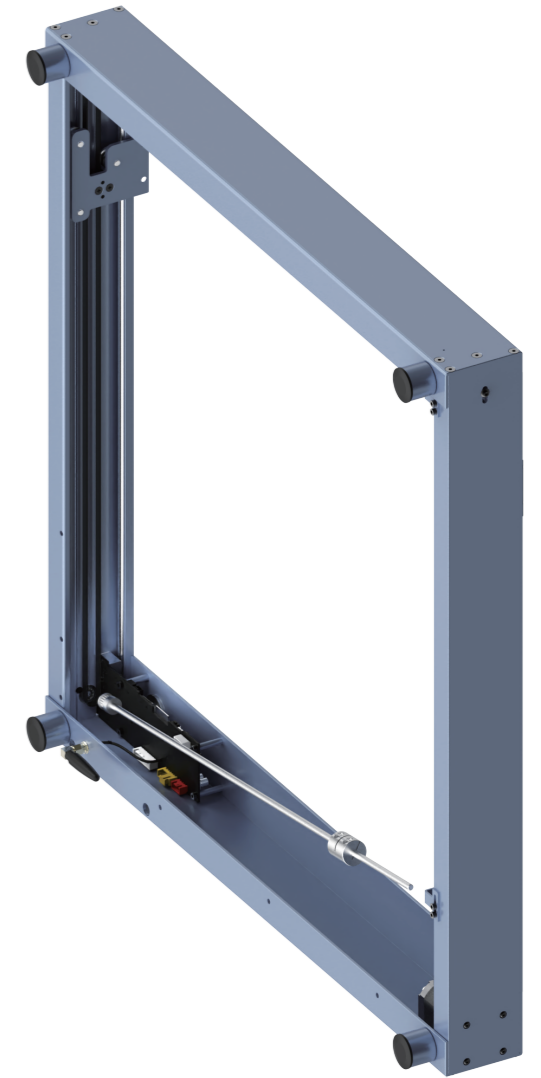
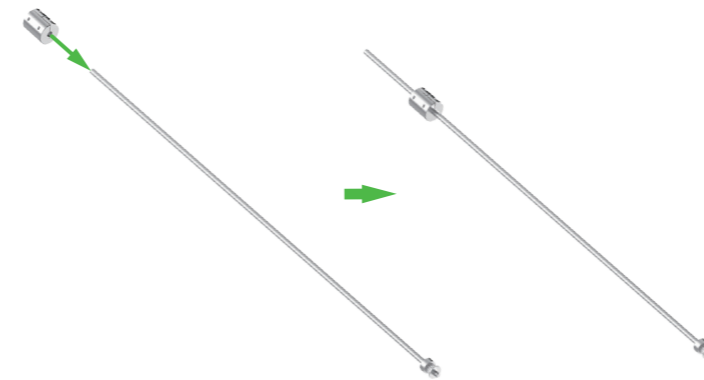
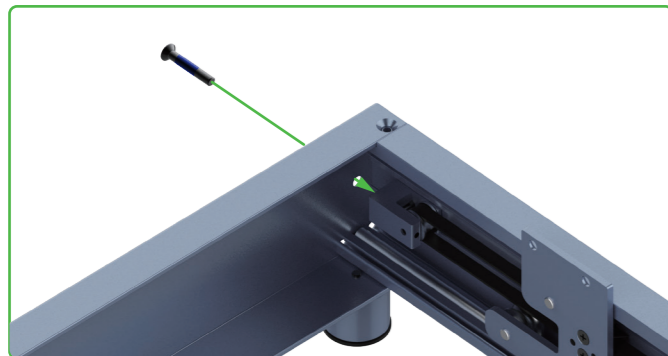
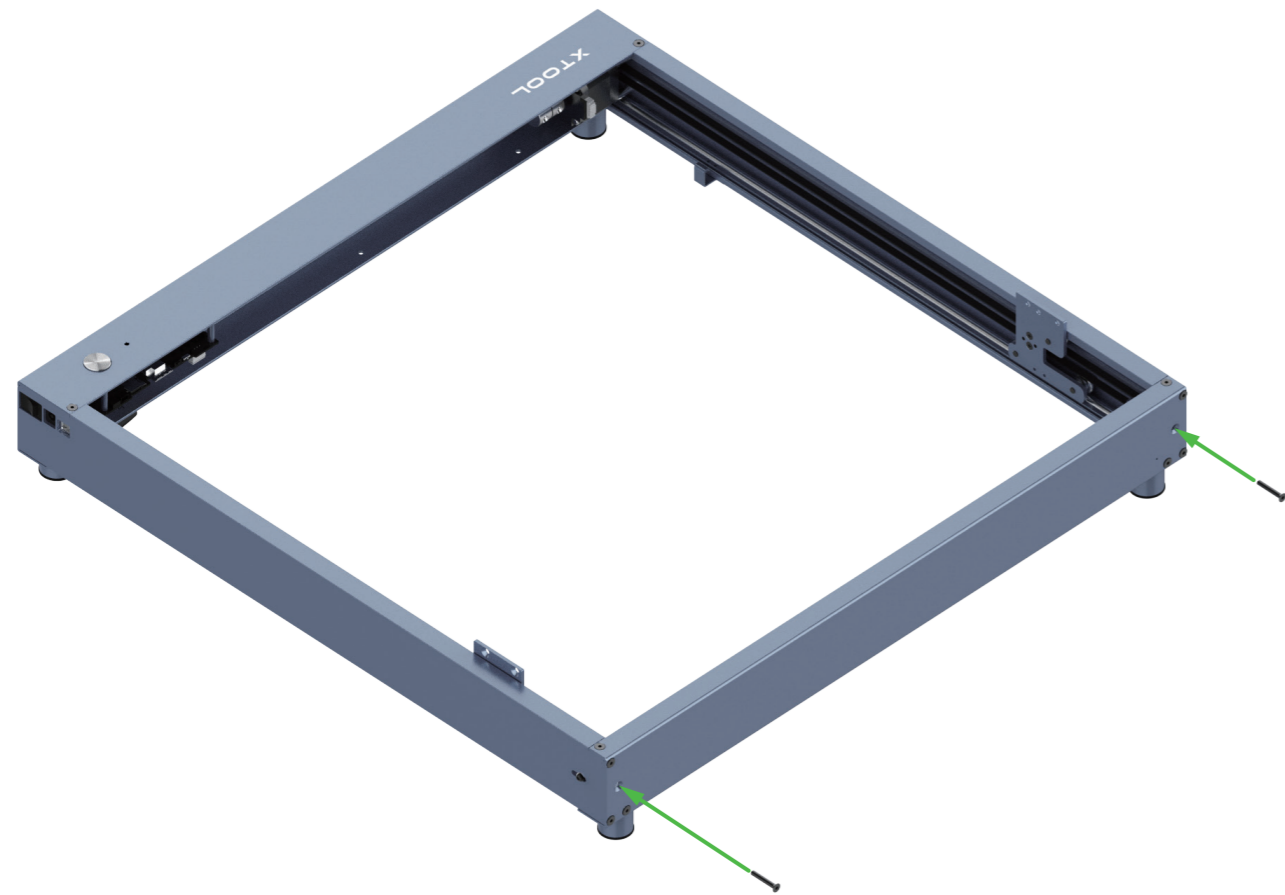
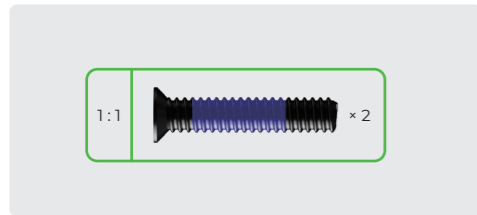
Assemble xTool D1 Pro



You can visit support.xtool.com or scan the QR code to find the tutorial video.



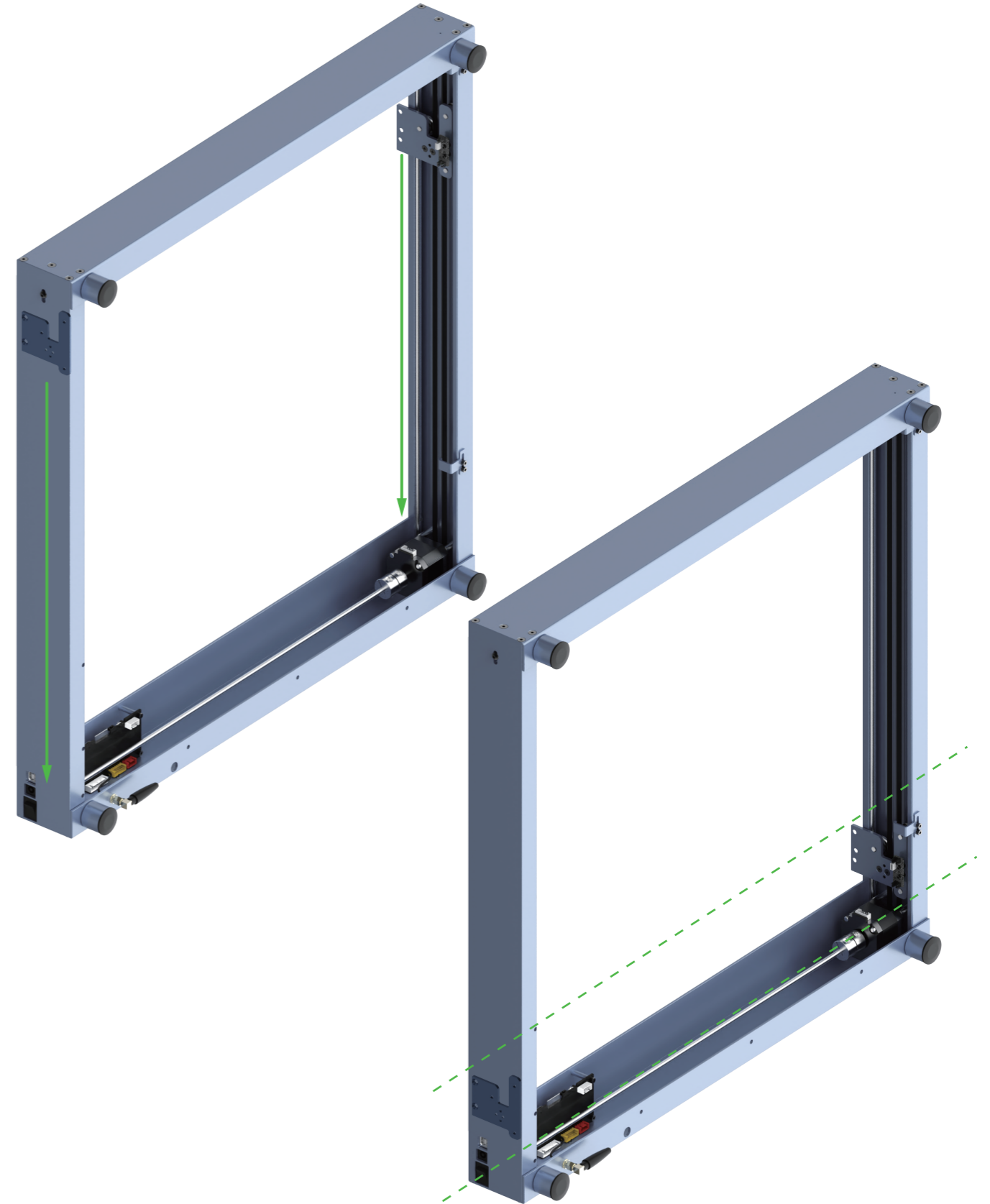
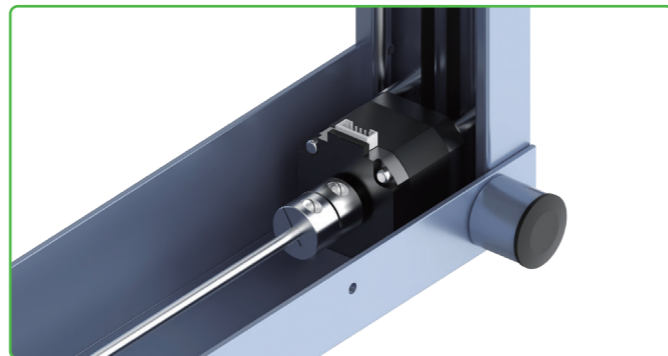
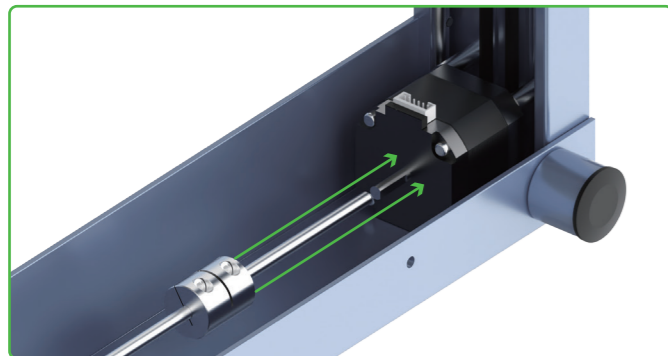
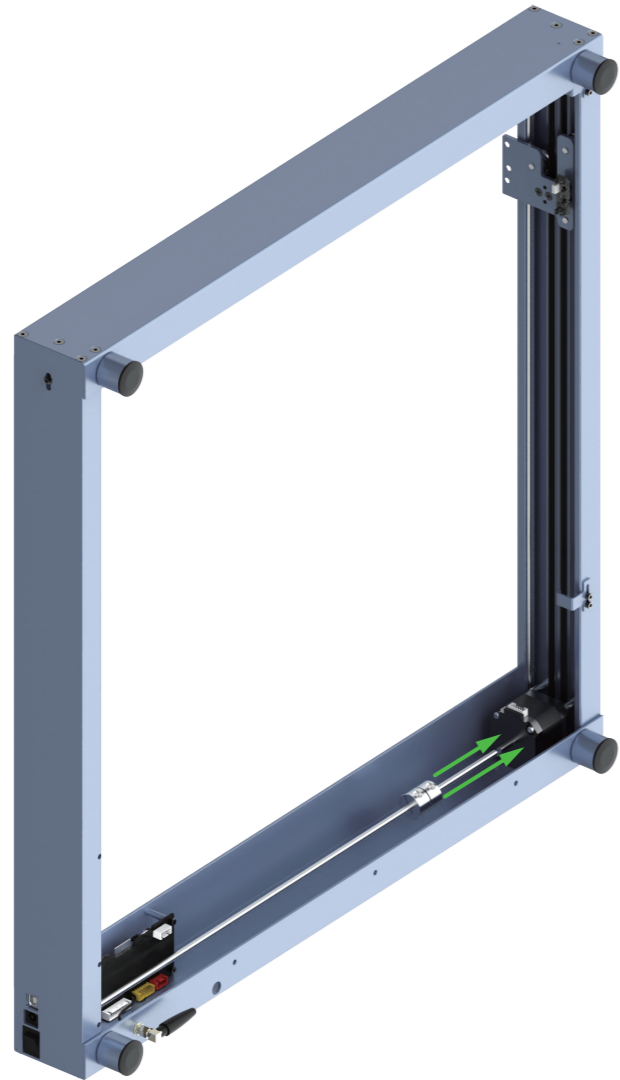




The screws are used to set the tension of the timing belts. Do not fully tighten them. Otherwise, the timing belts may be damaged.



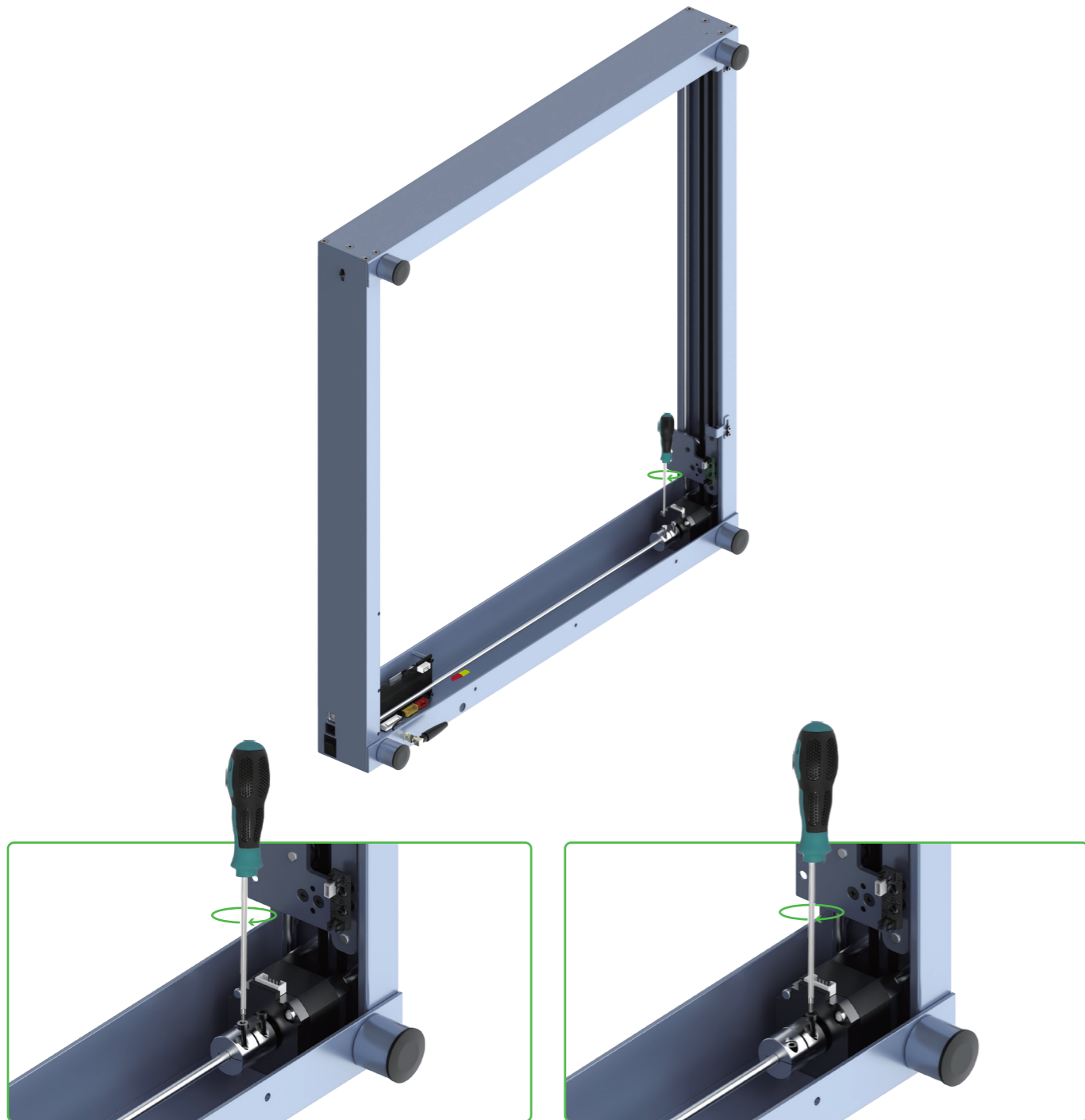
If you can't put the shaft through the timing belt, the possible cause is that the timing belt is set too tight. You can adjust its tension by turning the screw.




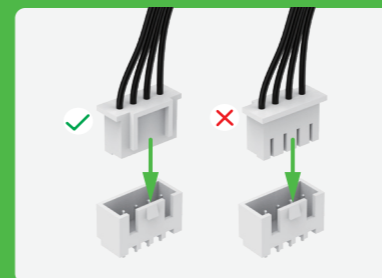
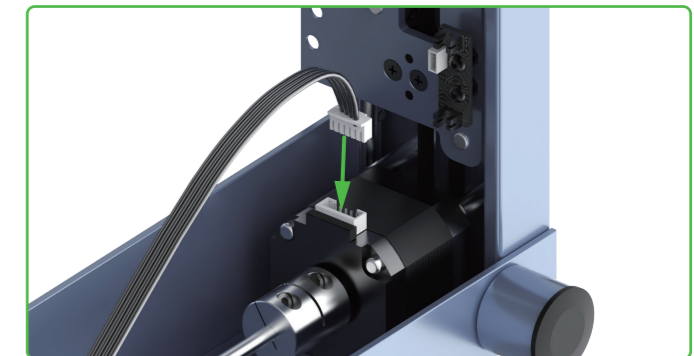
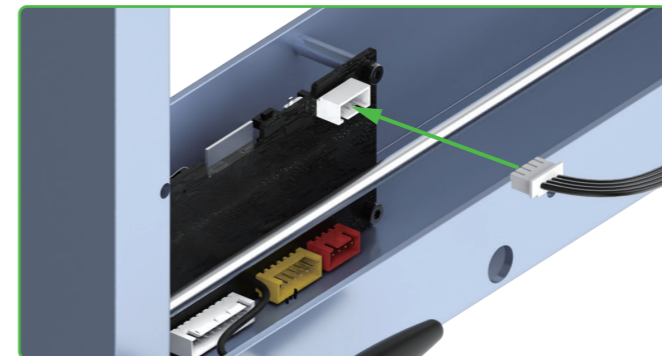
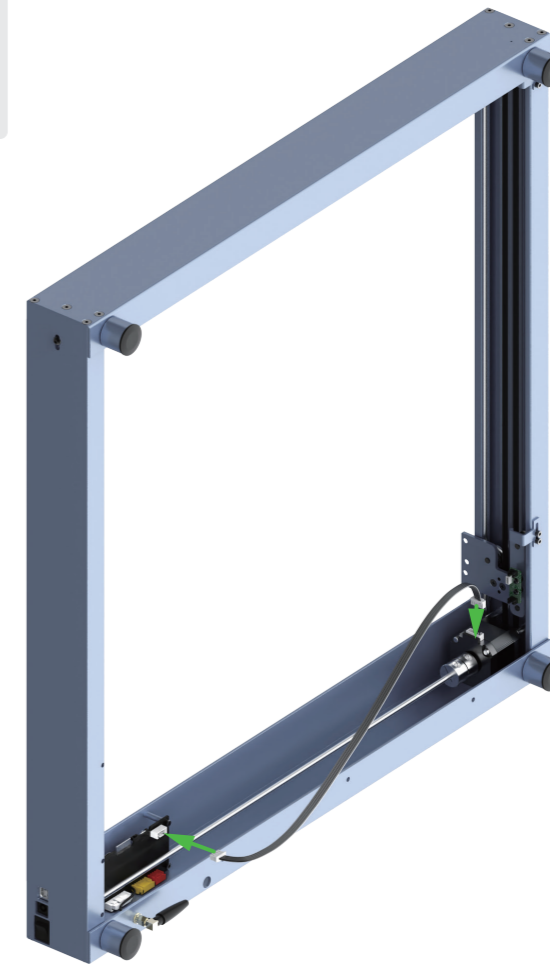
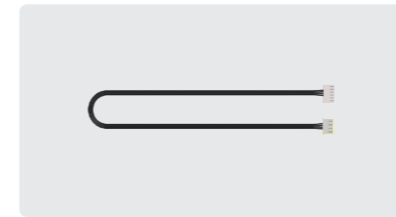
Slide the two sliders down against the front plate.

此页不印刷

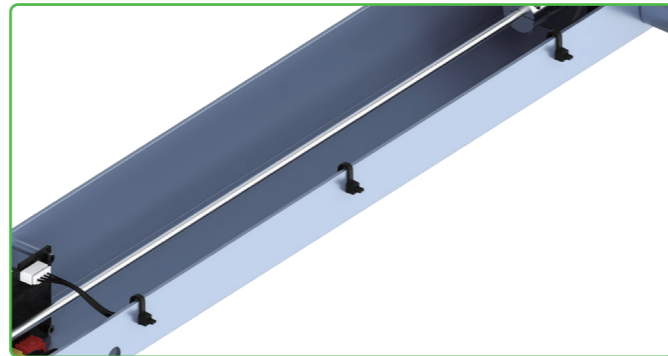
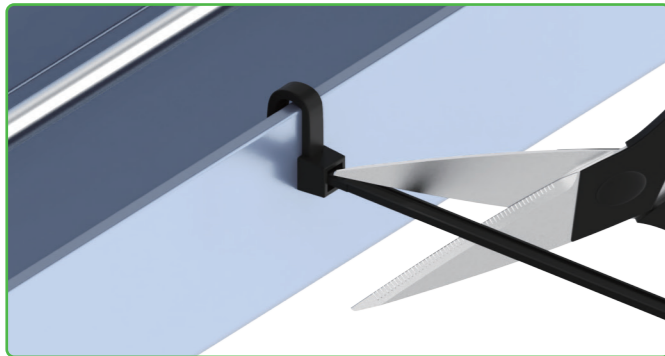
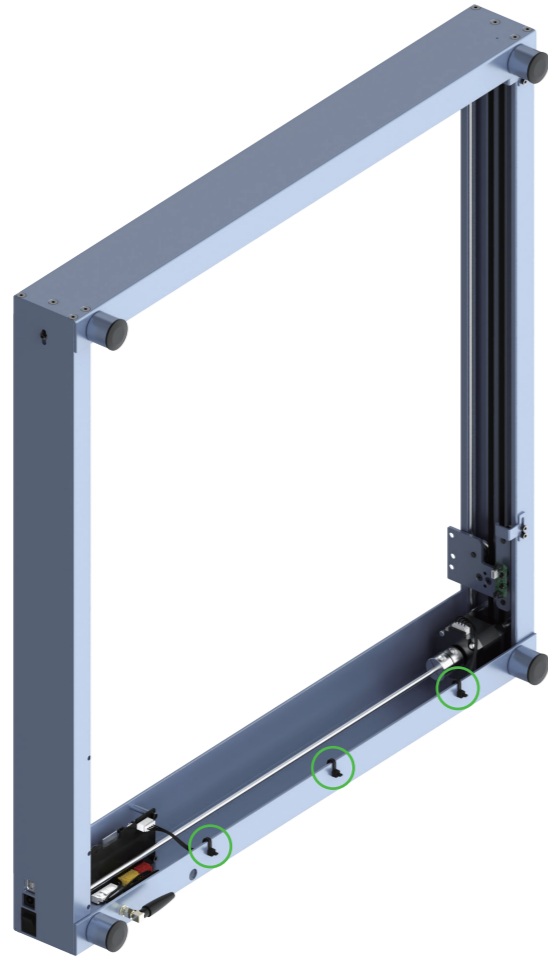
xTool D1 Pro_快速指南**第二部分**_英文_D1.1.3_KD010460000



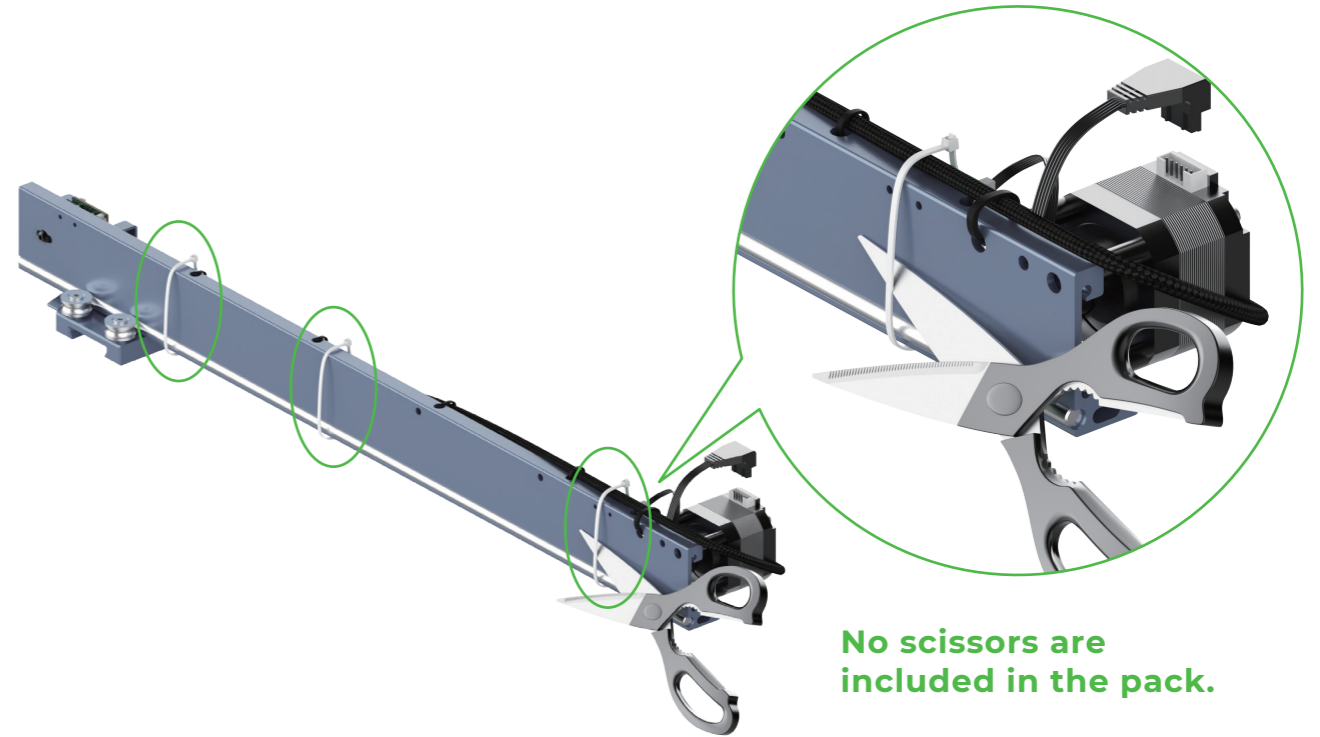
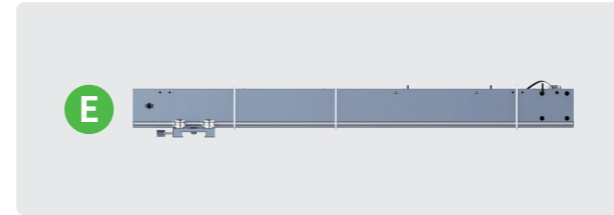
 Fully tighten the two screws.



Pay attention to the front and back sides of the connector. Insert it properly.

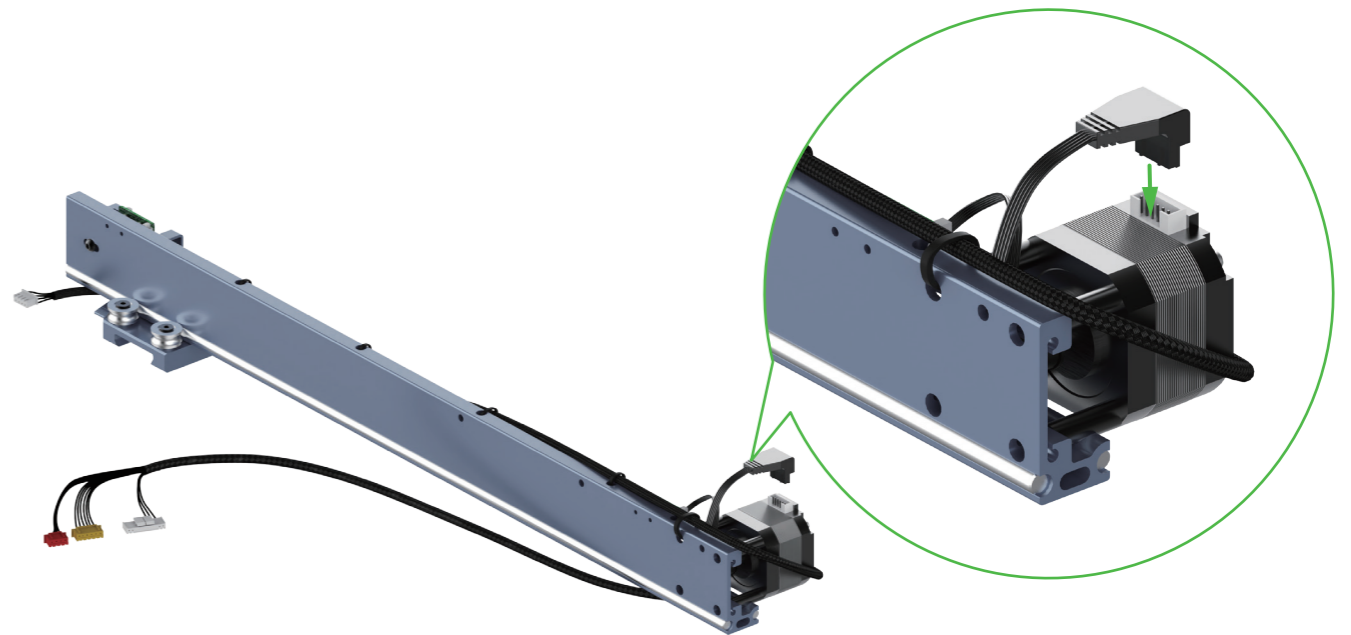


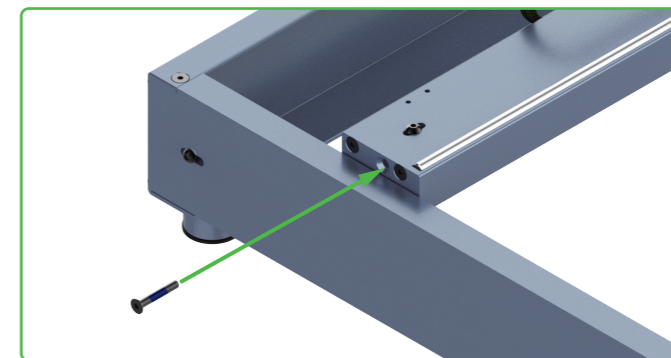
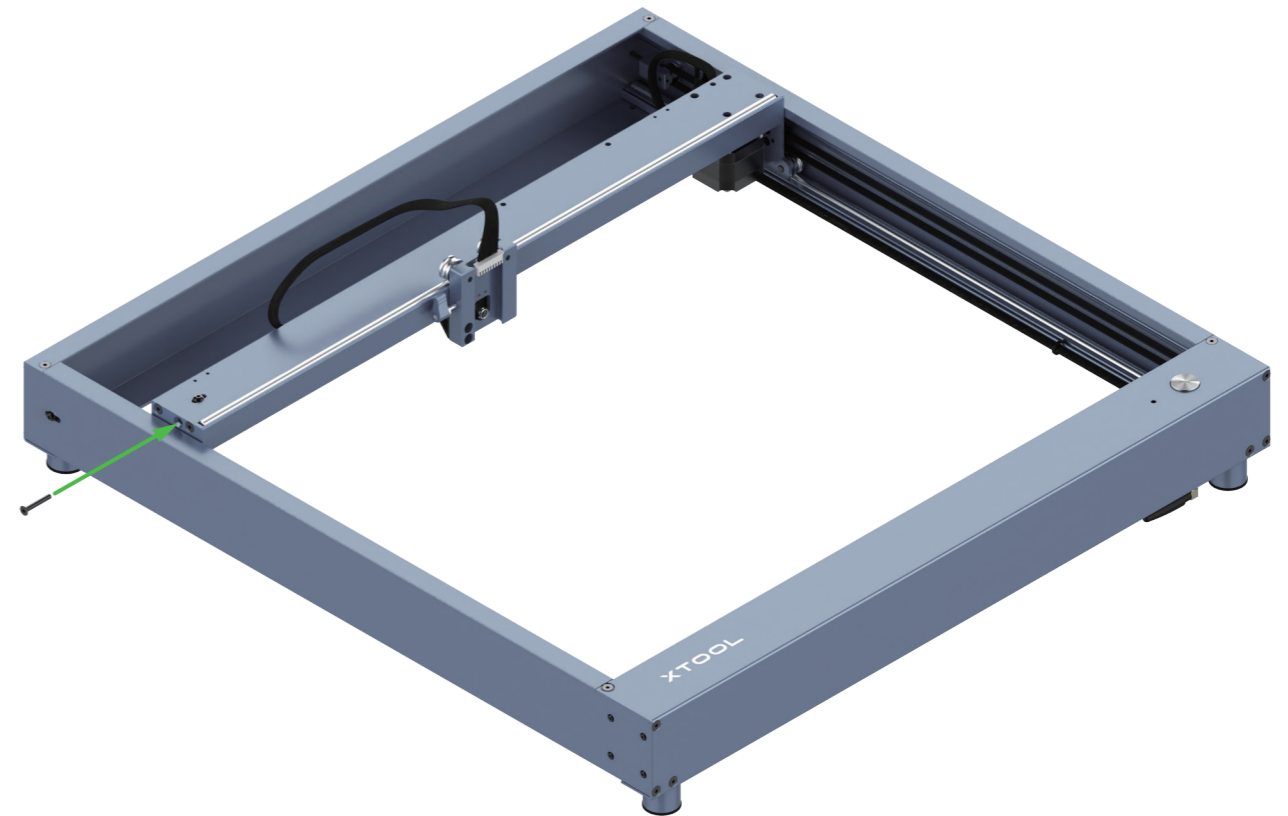
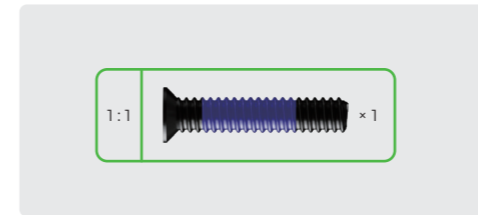
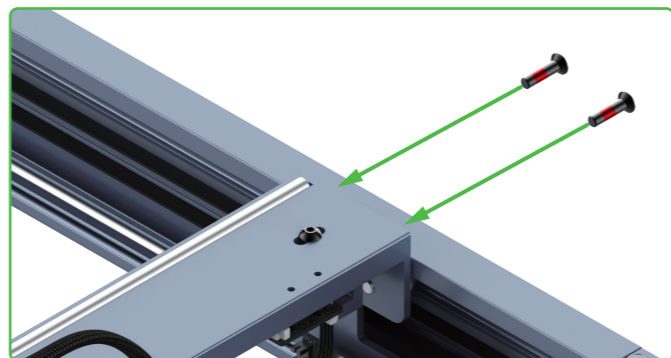
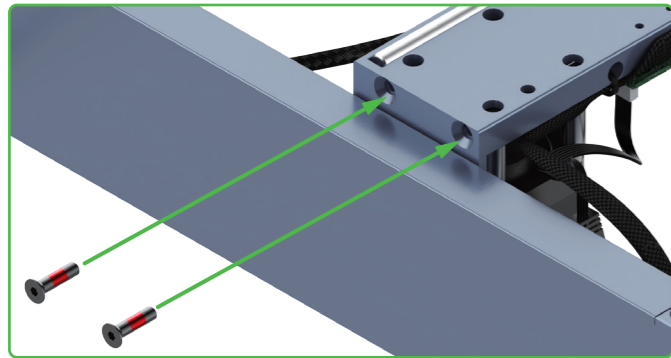
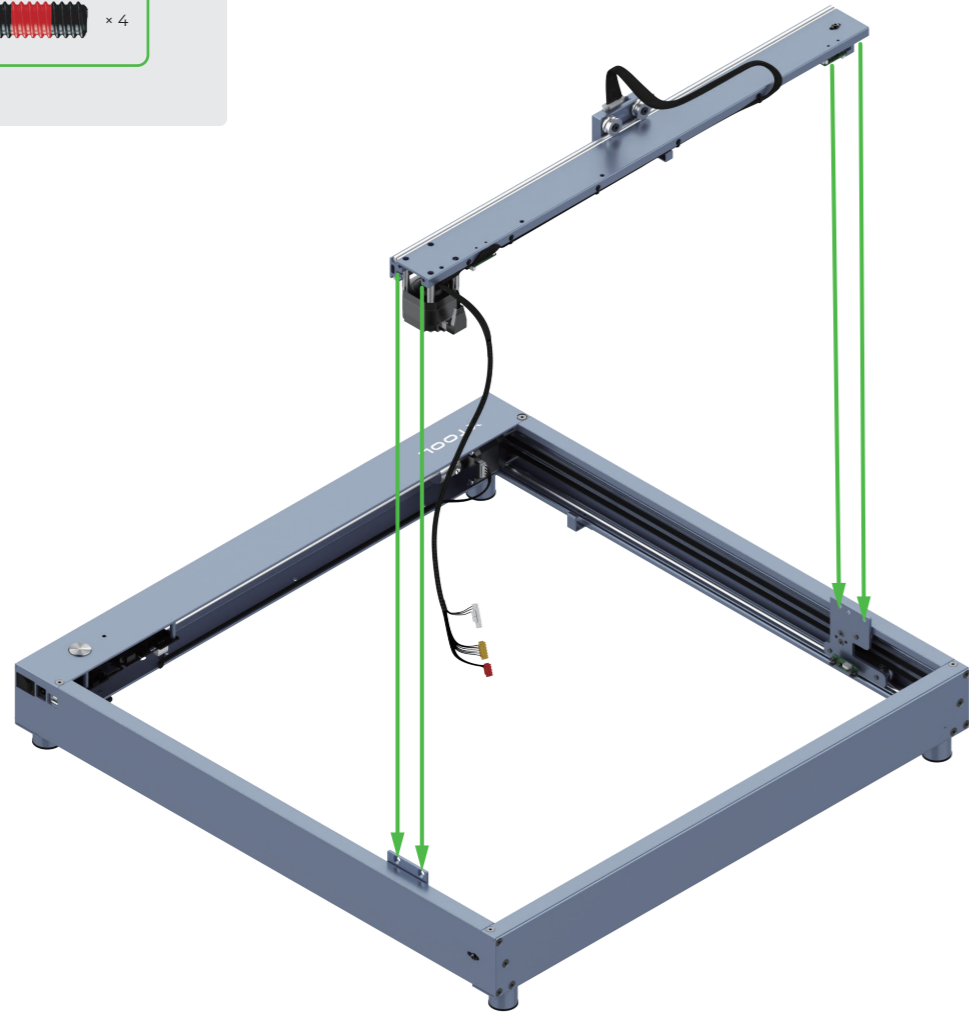
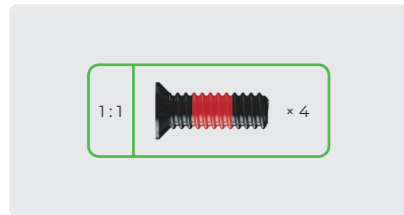
No scissors are included in the pack.



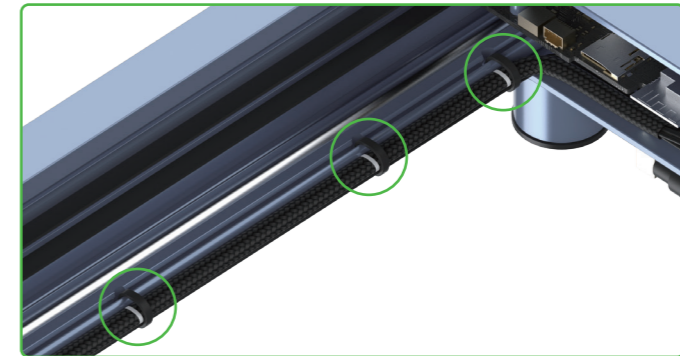
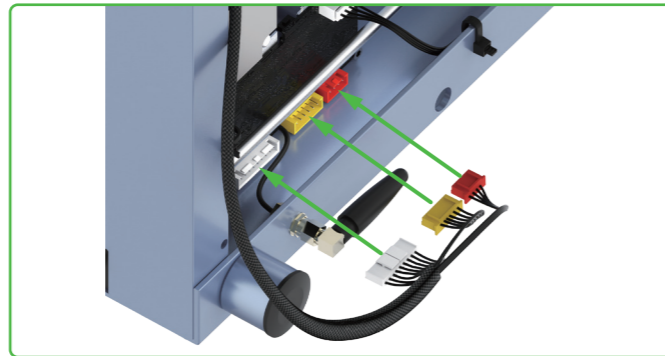
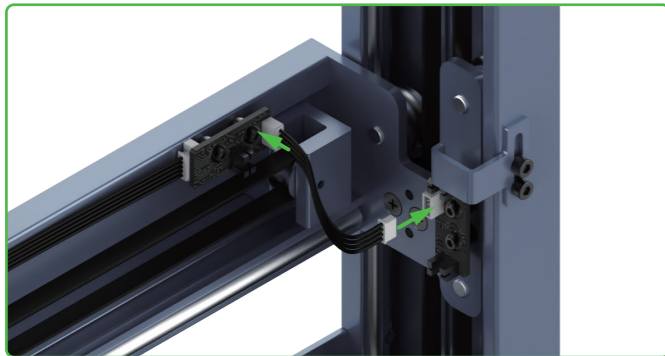
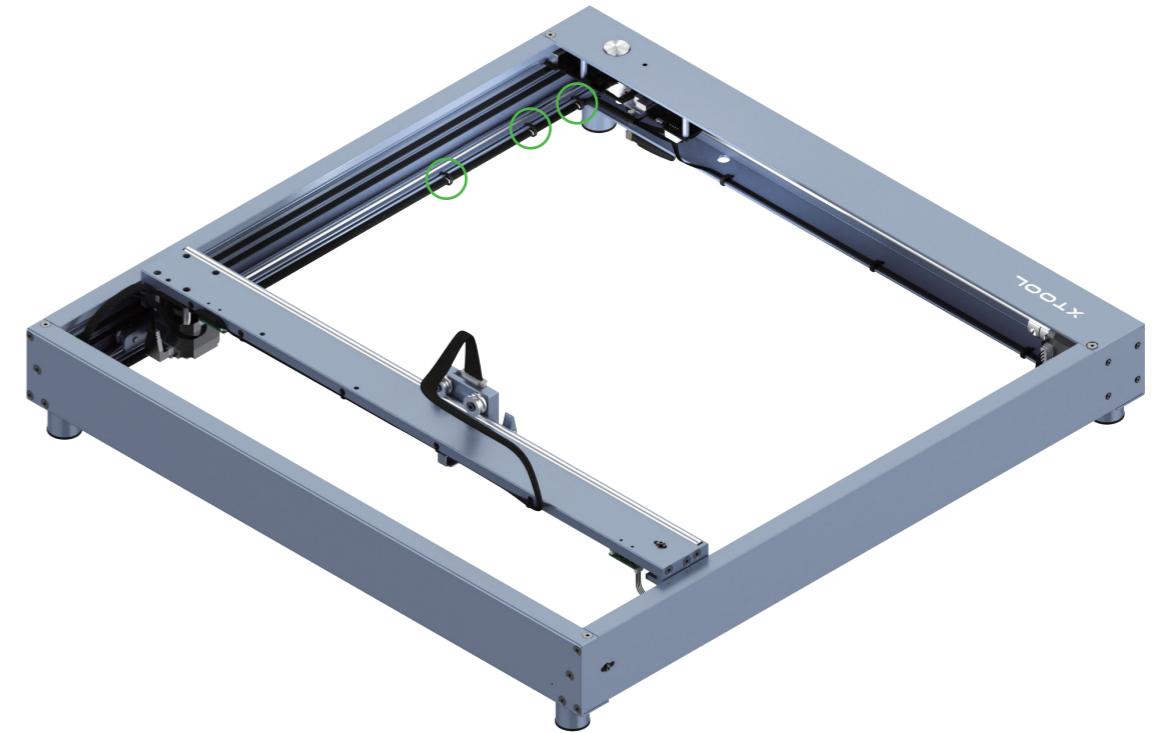
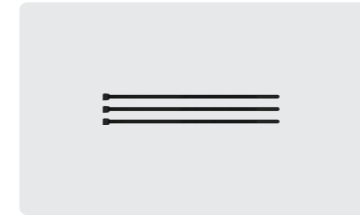
No scissors are included in the pack.

 Cut off the white cable ties, and keep the gray ones.

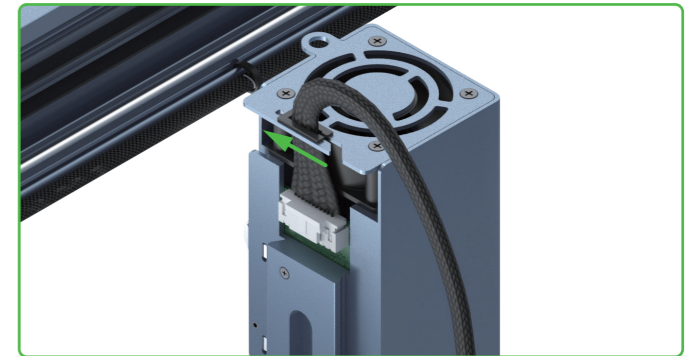
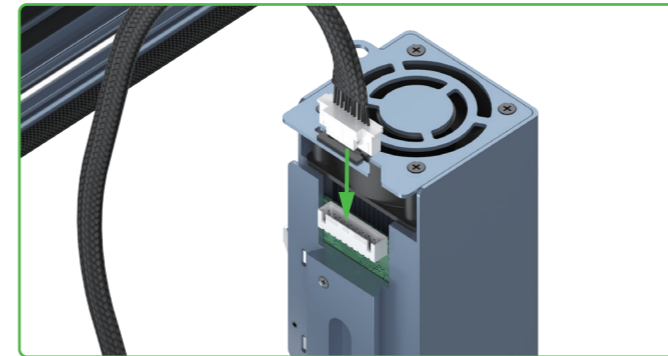
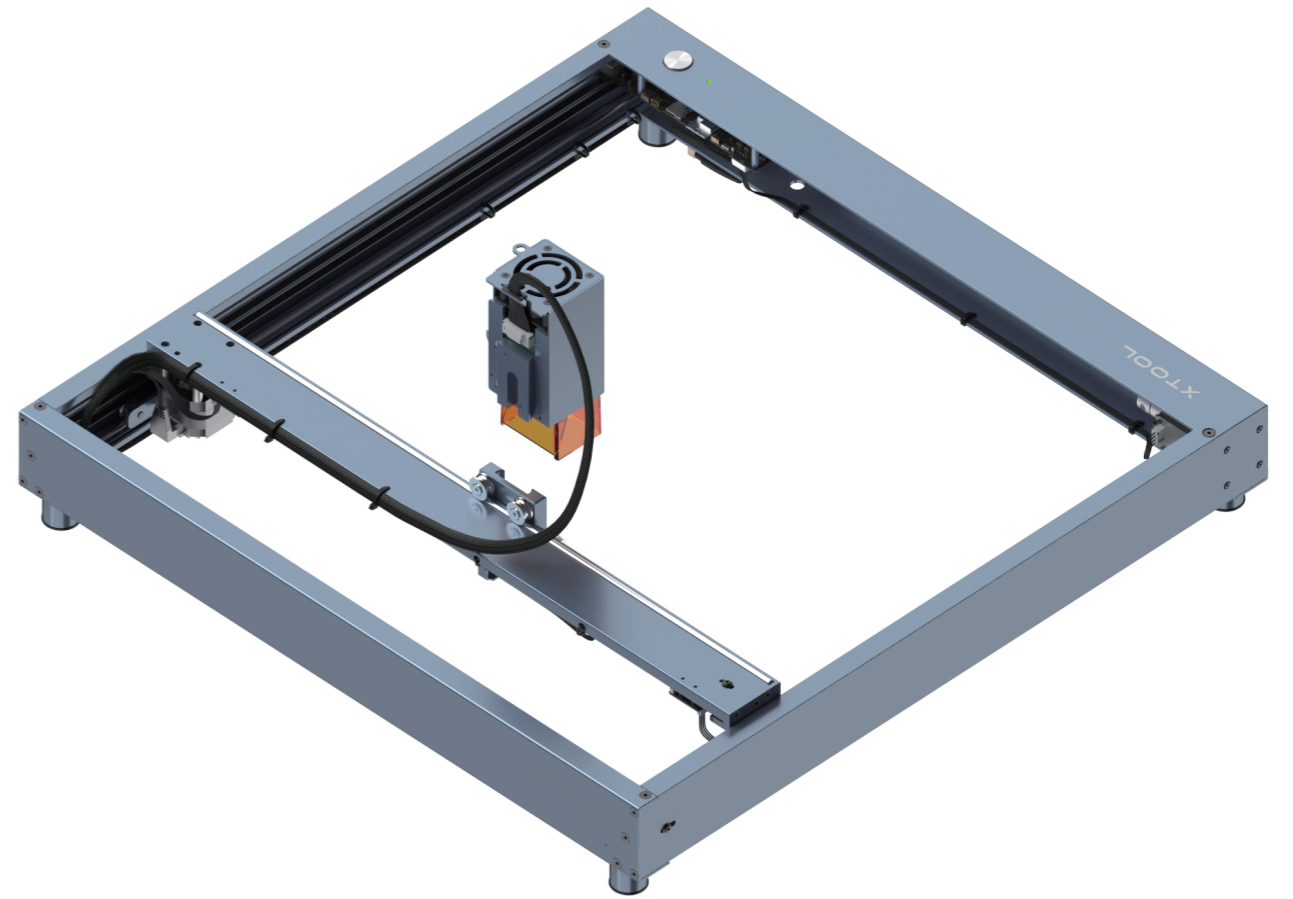
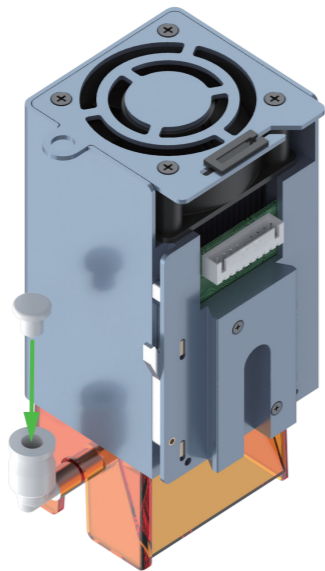
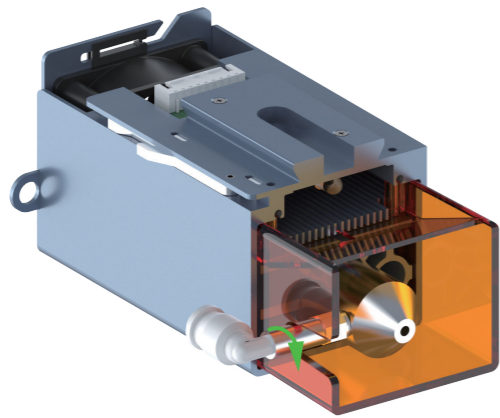
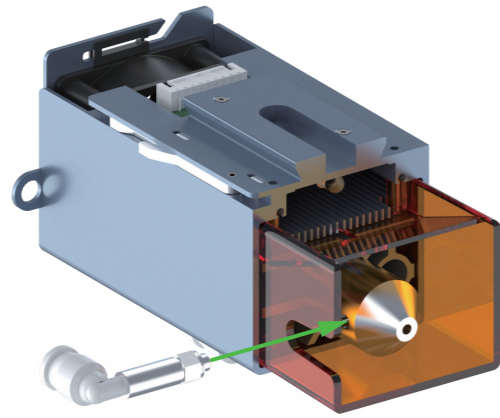
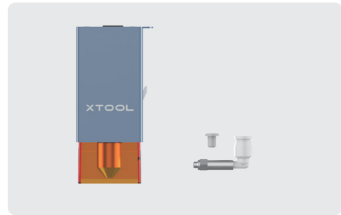




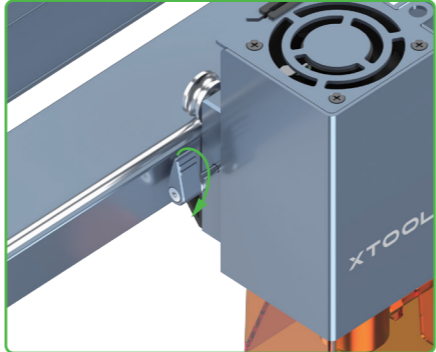
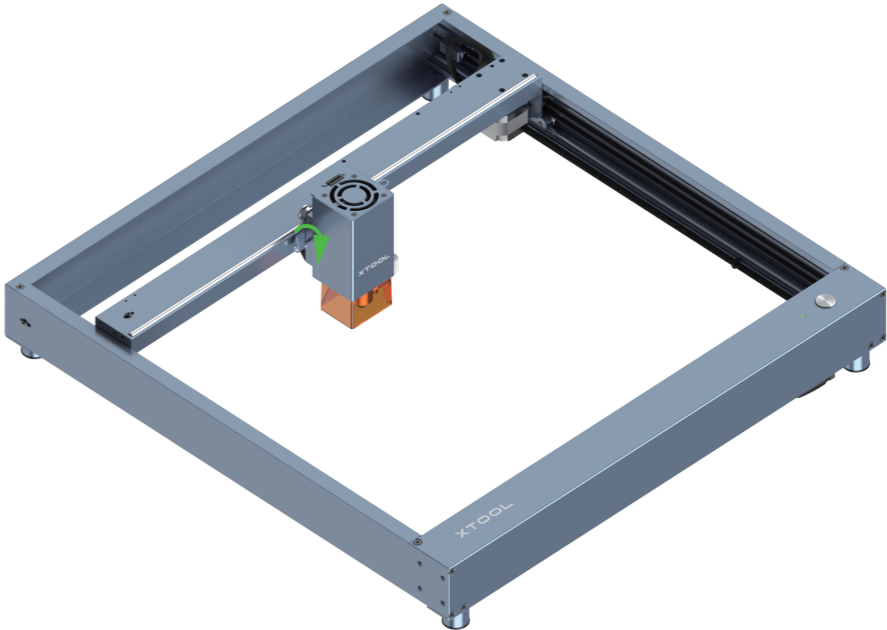
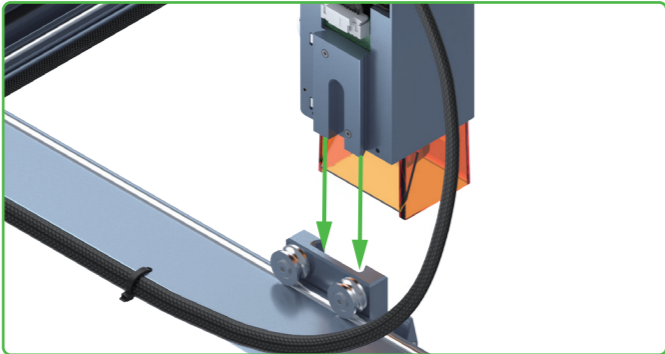
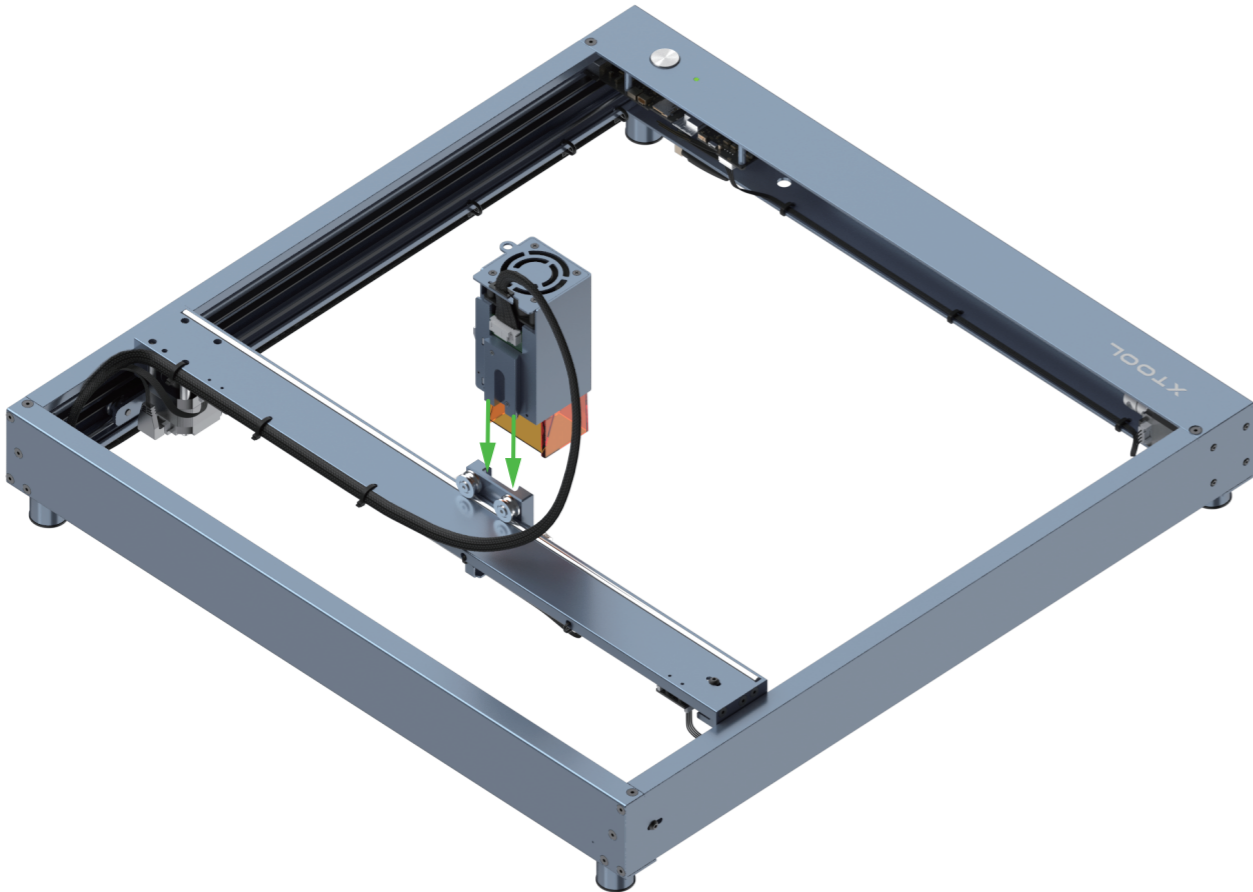
The screw is used to set the tension of the timing belt. Do not fully tighten it. Otherwise, the timing belt may be damaged.



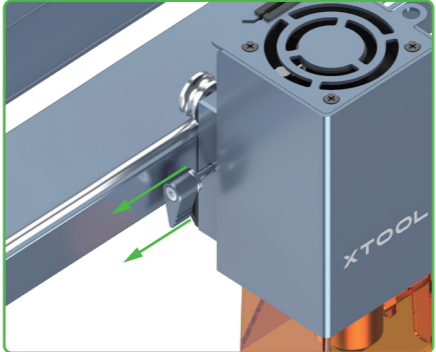
80% done!
Excited to see your laser cutter begins to take shape!
Success is just around the corner!



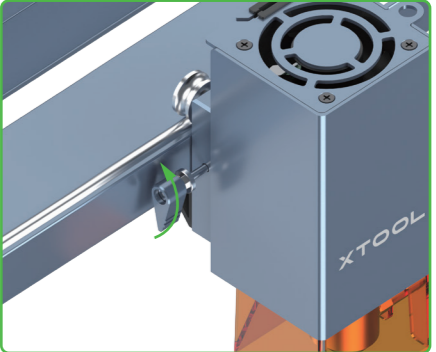
Use the thumb screw to fit the laser module



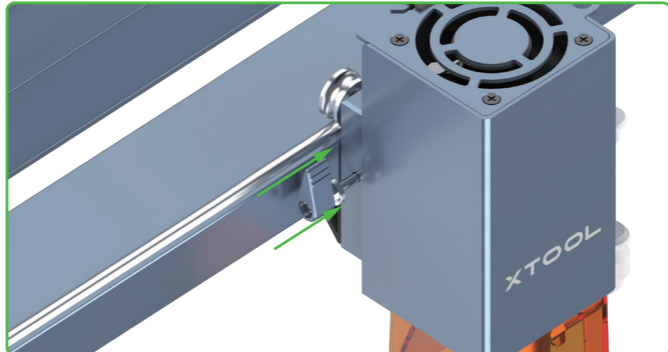
Turn the handle clockwise



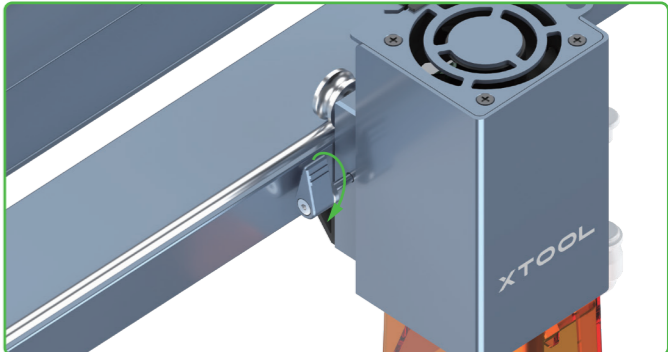
Hold the handle to draw it away from the thread part




Rotate the handle to stop it from being blocked



Release the handle



Turn the handle clockwise again

 You may need to repeat this process multiple times to tighten the thumb screw.



Use the thumb screw

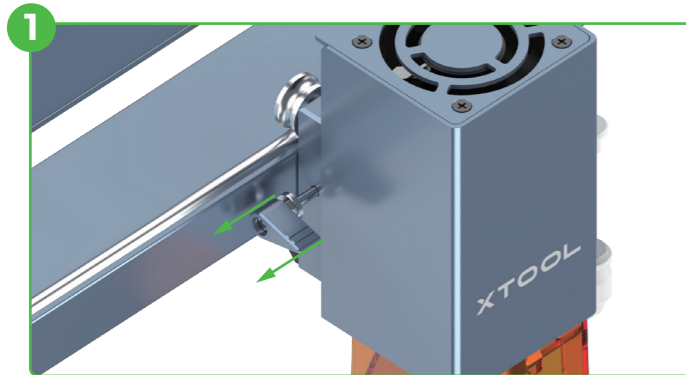


Tighten the screw

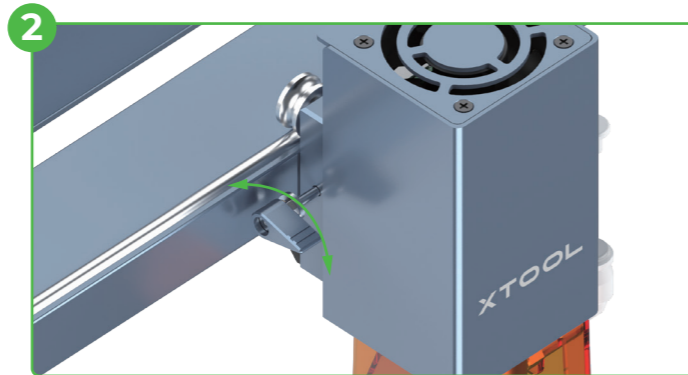


Loosen the screw

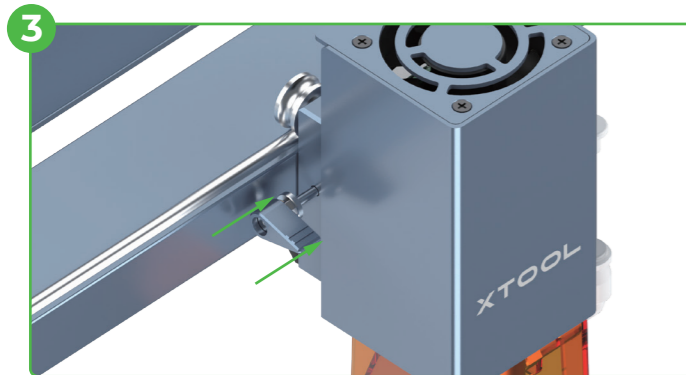
If the handle is blocked, you can tighten or loosen the screw as follows.



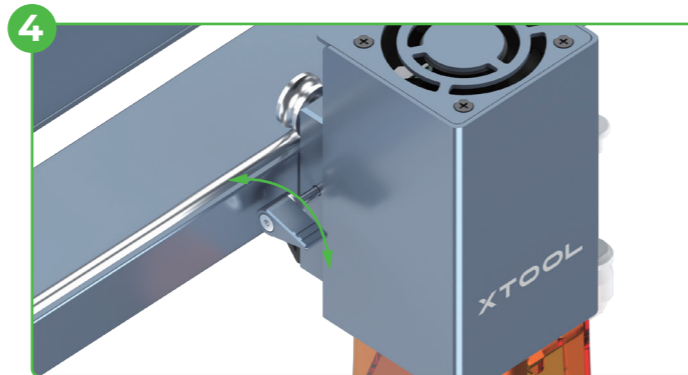
1 Hold the handle to draw it away from the thread part



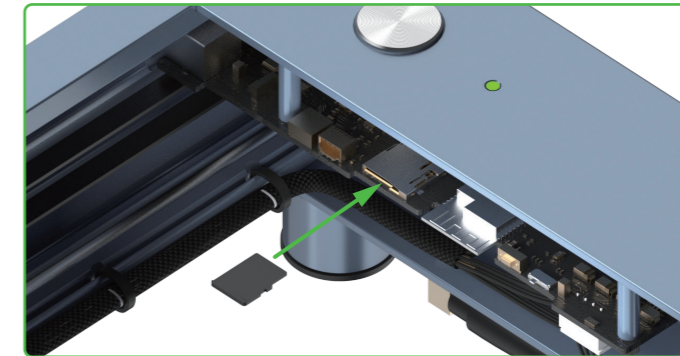
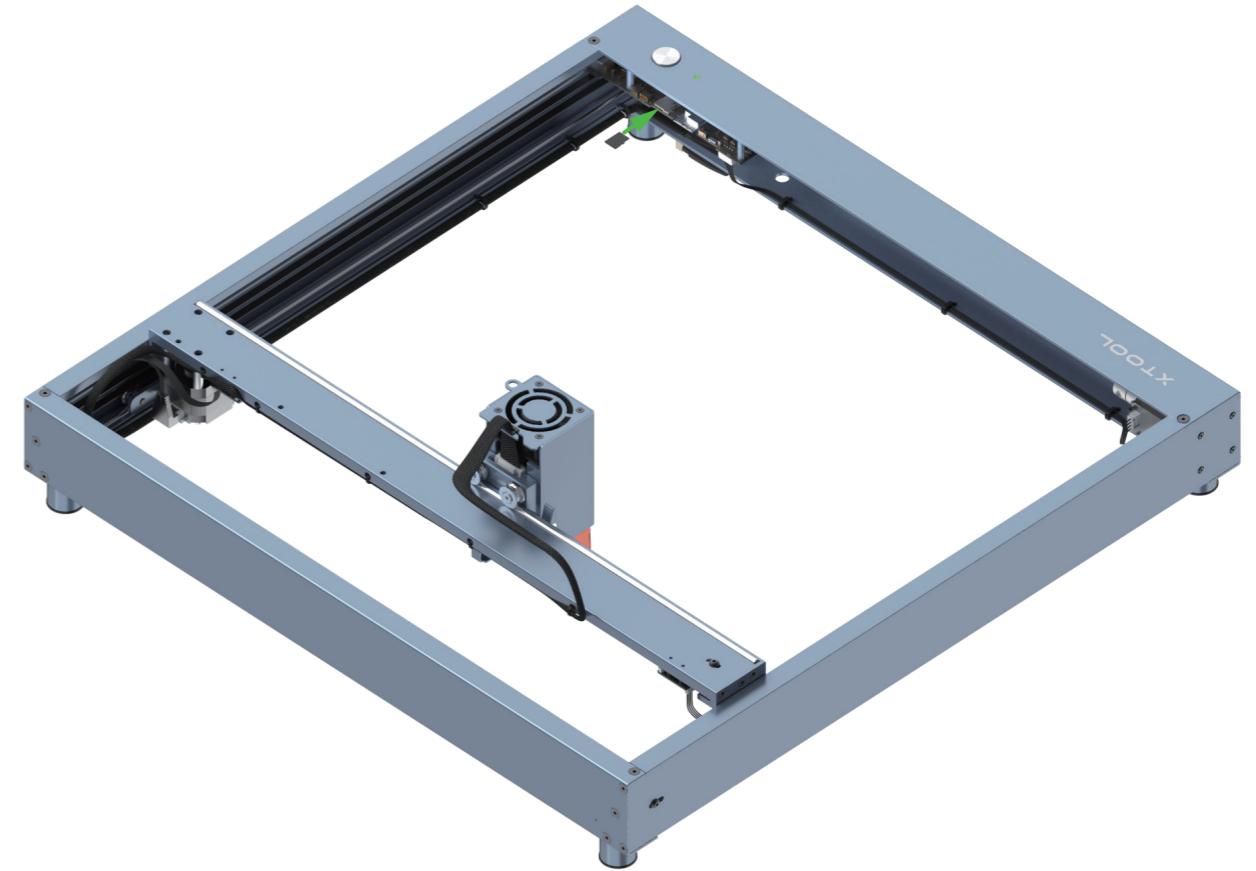
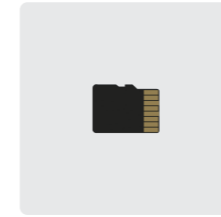
2 Rotate the handle to stop it from being blocked. The screw is not tightened or loosened.



3 Release the handle. The handle goes back to the default position.



4 Rotate the handle to tighten or loosen the screw

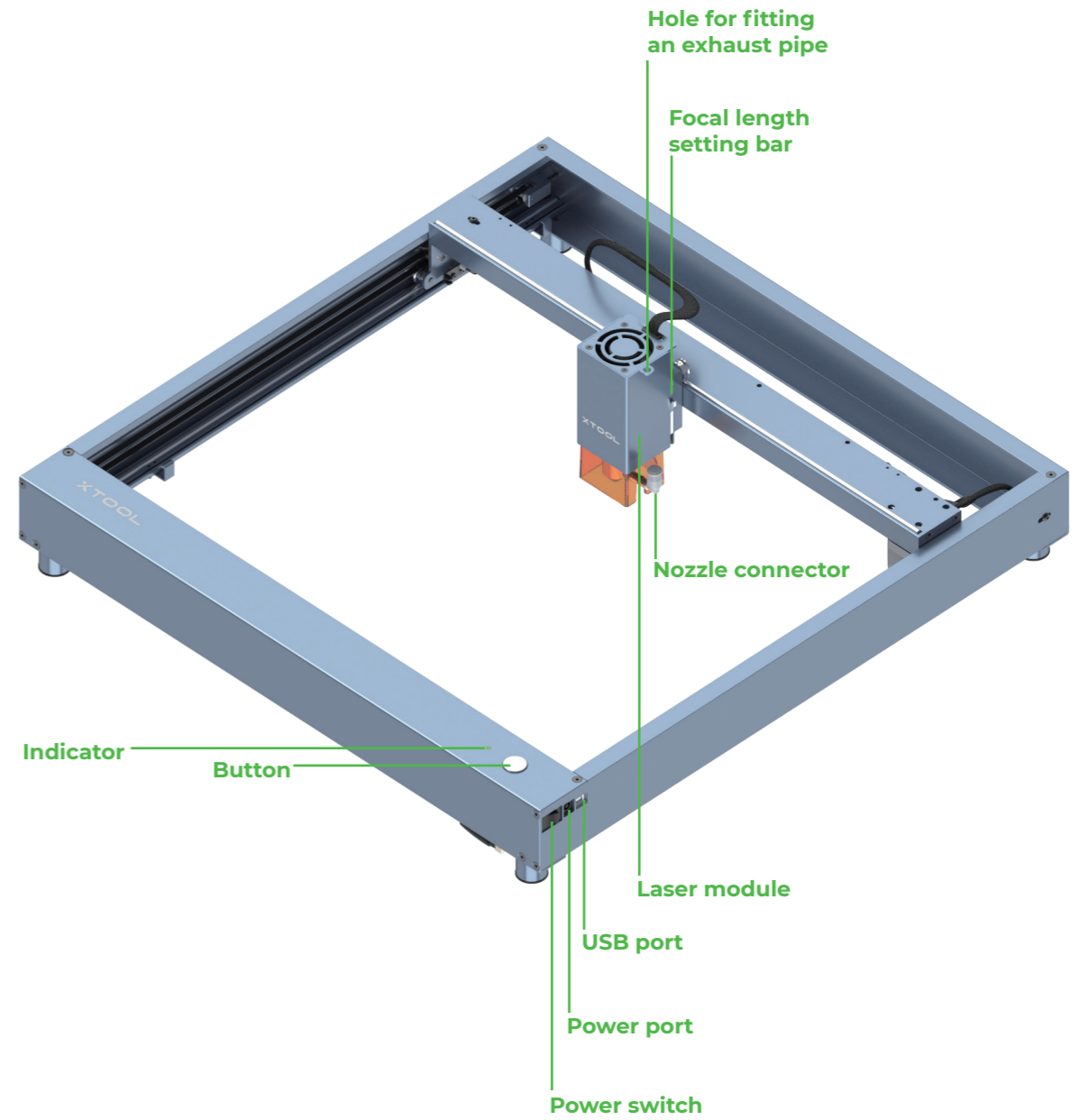


Insert the TF card before using xTool D1 Pro. Otherwise, some functions may fail, such as Wi-Fi connection-based processing, offline processing, and Framing in processing preview.



Congratulations!
You have completed the installation!
We've got a little surprise in our software to make your first project creative and memorable.
Download the software and get the novice task!

Meet your xTool D1 Pro

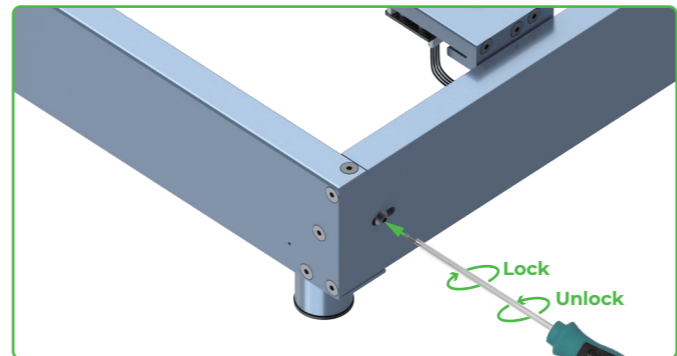
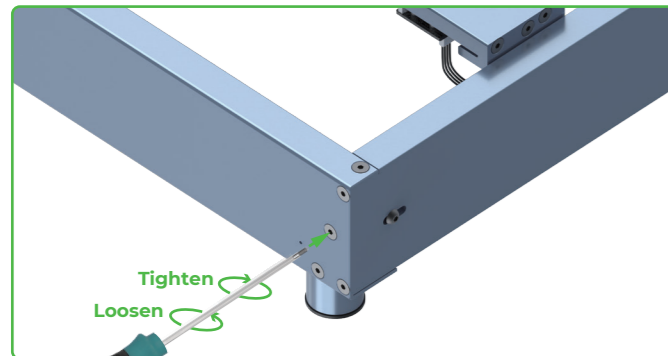
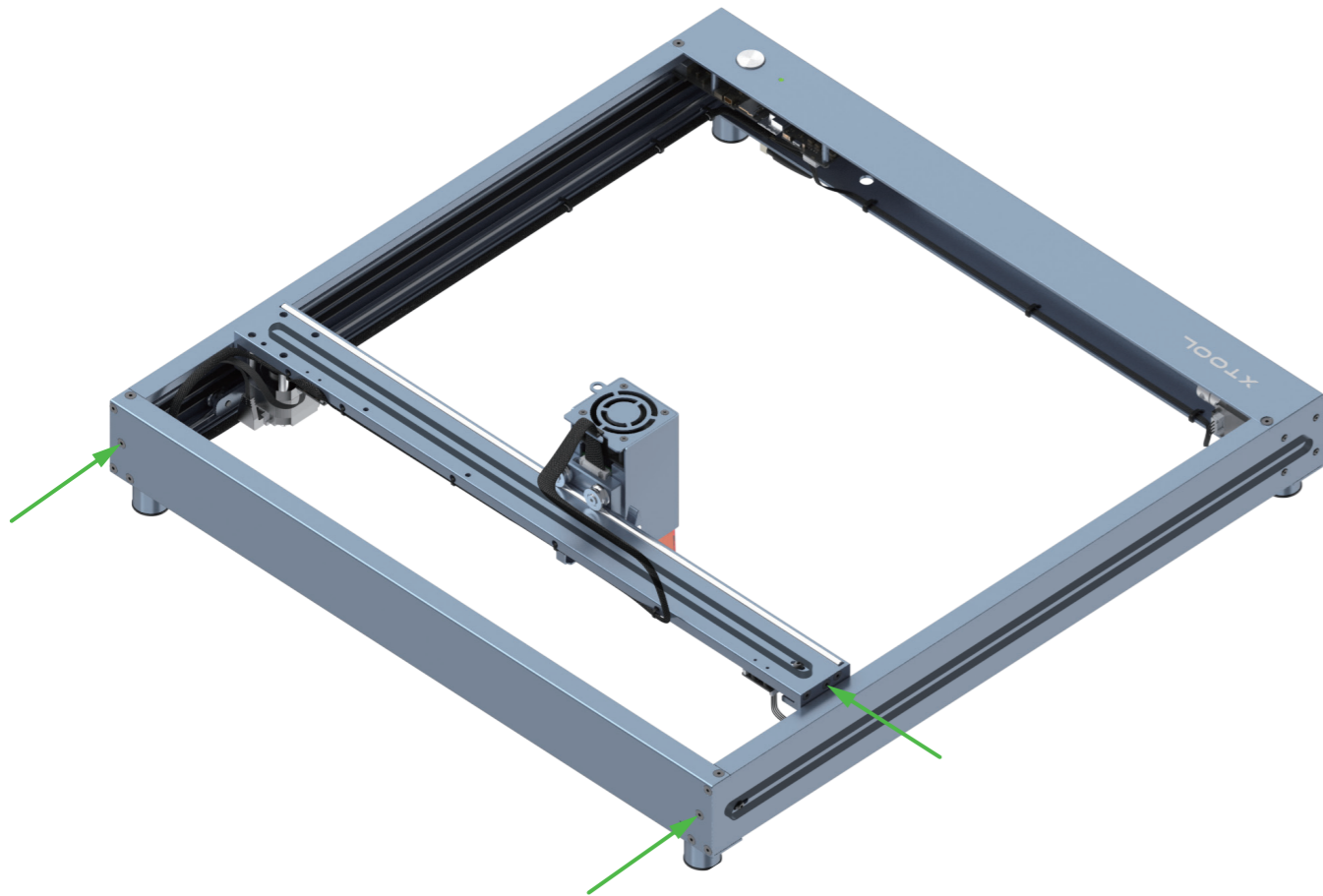


此页不印刷

xTool D1 Pro_快速指南**第三部分**_英文_D1.1.3_KD010460000

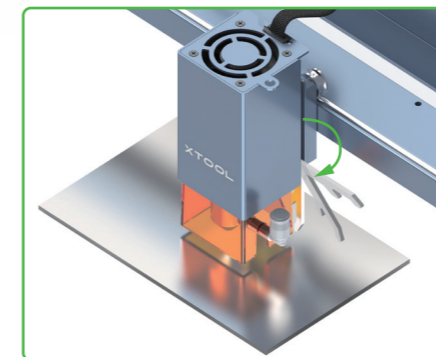
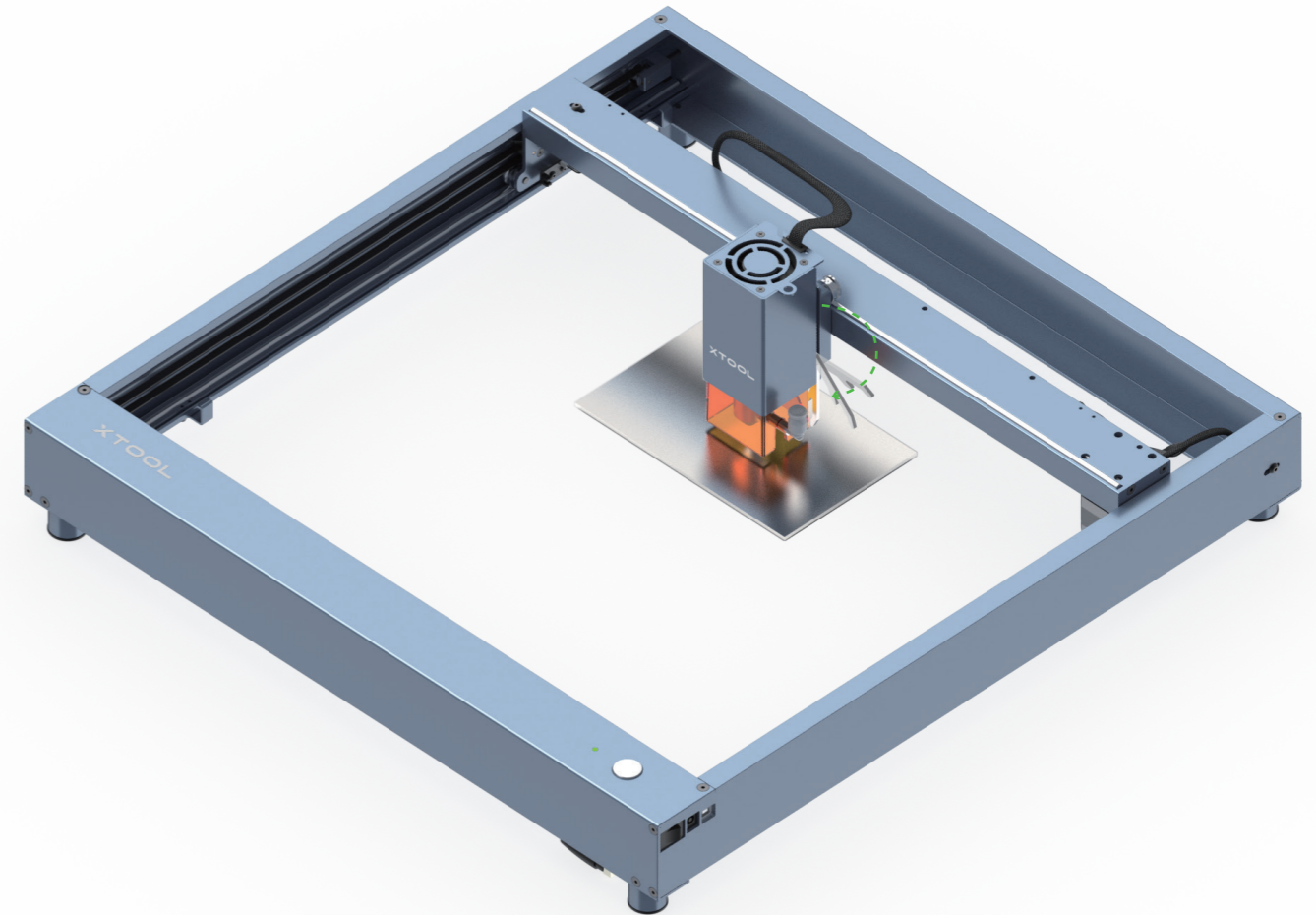
Set up xTool D1 Pro

Adjust the tension of the timing belts

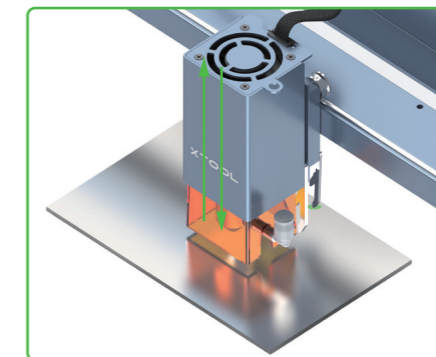


Try to set the timing belts on the right and left plates to the same tension, so that xTool D1 Pro can cut and engrave materials properly.

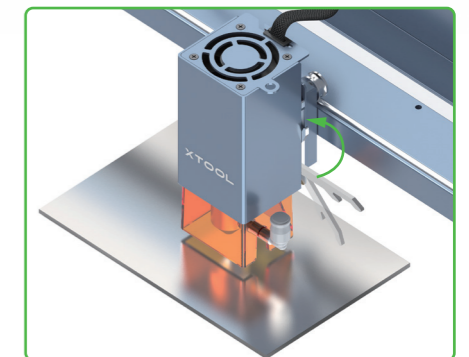
Set the position of the laser module



Put the focal length setting bar down



Loosen the thumb screw on the other side and slide the laser module upward or downward



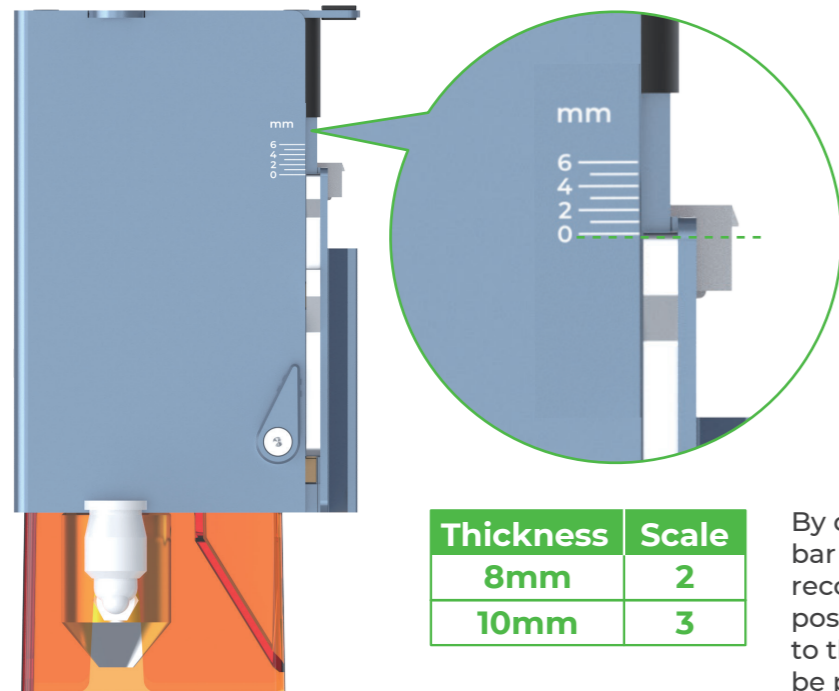
After determining the position, tighten the thumb screw and put the focal length setting bar back

Set the position of the rear plate on the laser module

(Applicable only to the laser module of 20W)

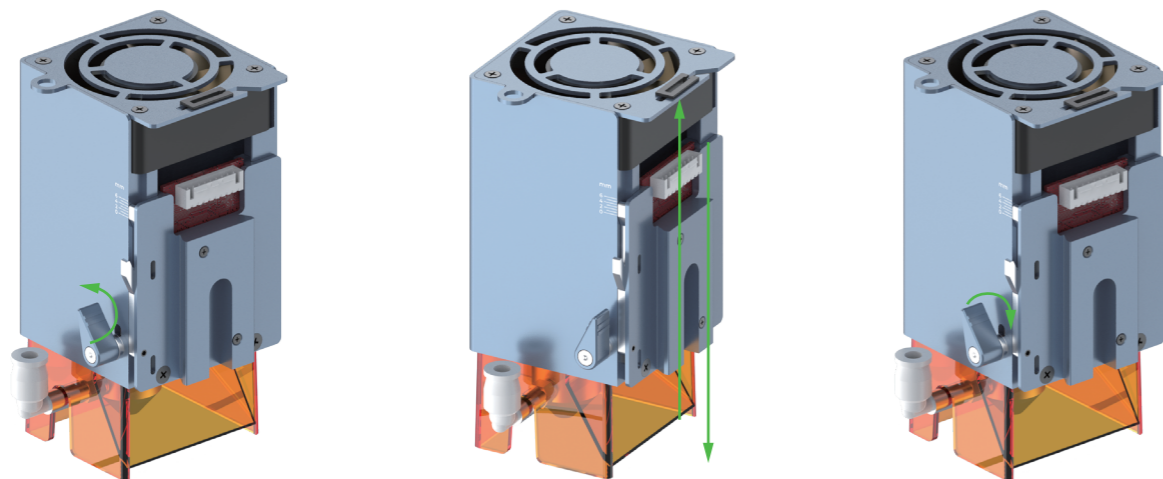


To cut thicker materials, you can adjust the position of the rear plate on the laser module, based on the scale with which the focal length setting bar is aligned, to ensure better cutting performance.



Thickness	Scale
8mm	2
10mm	3

By default, the focal length setting bar is aligned with scale 0. It's recommended that you adjust the position of the rear plate according to the thickness of the material to be processed.



After adjusting the position of the rear plate, you can still use the focal length setting bar to set the position of the laser module.

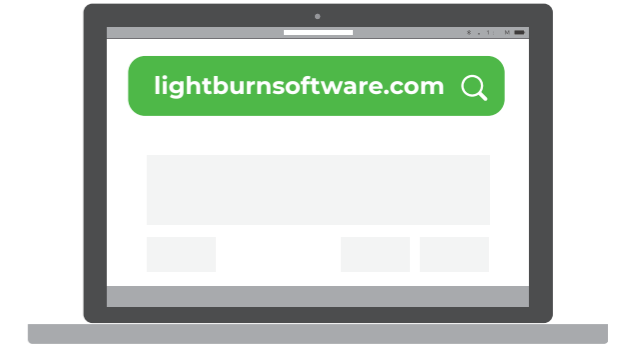
Download and install software

You can download xTool Creative Space (XCS) at our official website xtool.com or use the third-party software LightBurn to operate xTool D1 Pro.

Note: You need to purchase LightBurn before using it.



OR



xTool Creative Space



LIGHTBURN
BETTER SOFTWARE FOR LASER CUTTERS



The Laserbox basic software **DOES NOT** support xTool D1 Pro. Ensure that the software you use is XCS and you have updated XCS and the machine firmware to the latest versions. If the versions are not the latest ones, update them as prompted by XCS.

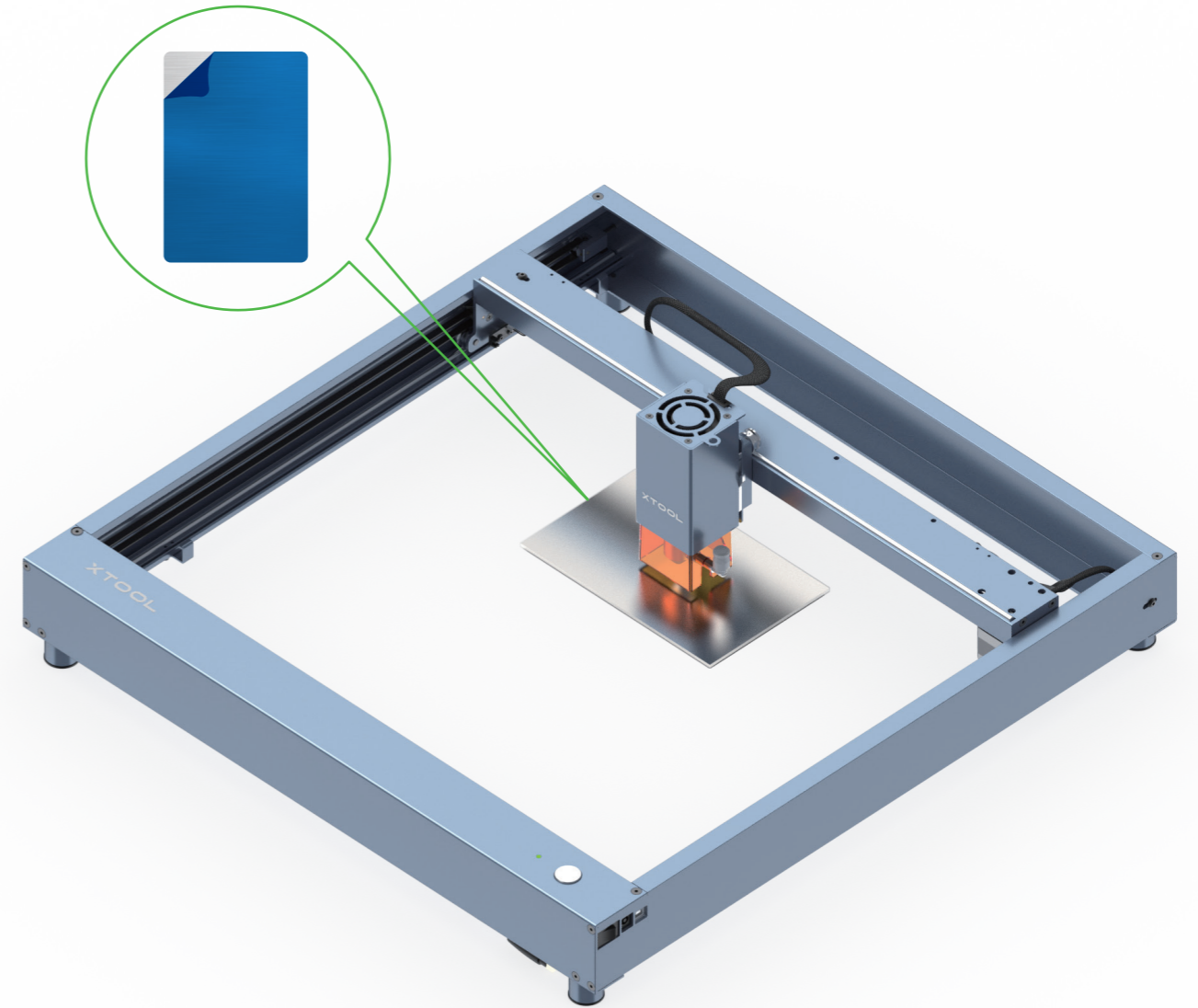
Create with example projects



Before starting your creation, you are advised to test the parameter settings and engraving performance first to prevent waste of materials. For example, you can engrave on an area near the edge of a material to see the engraving performance. For valuable items, especially, you can engrave on a substitute for testing.



Before creating your works, you can place the aluminium sheet in the working area of xTool D1 Pro to protect your desk or floor from being smoked or burned.



xTool D1 Pro is delivered with a material pack that allows you to start your creation. Scan the QR code to find example projects and tutorials. Alternatively, you can click [Support](#) on xTool Creative Space (XCS) and then choose [xTool D1 Pro > xTool D1 Pro Example Project Files & Tutorials](#). You can download the example projects and follow the instructions to create your first works.

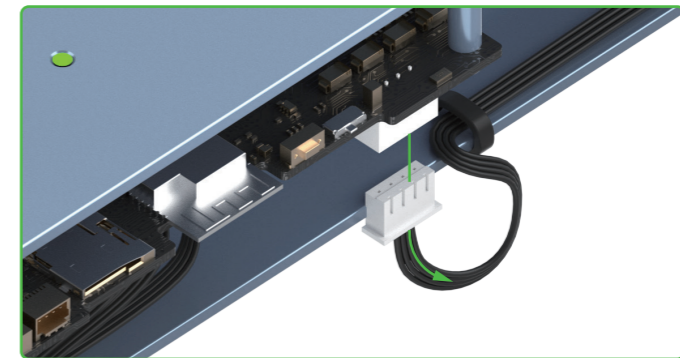
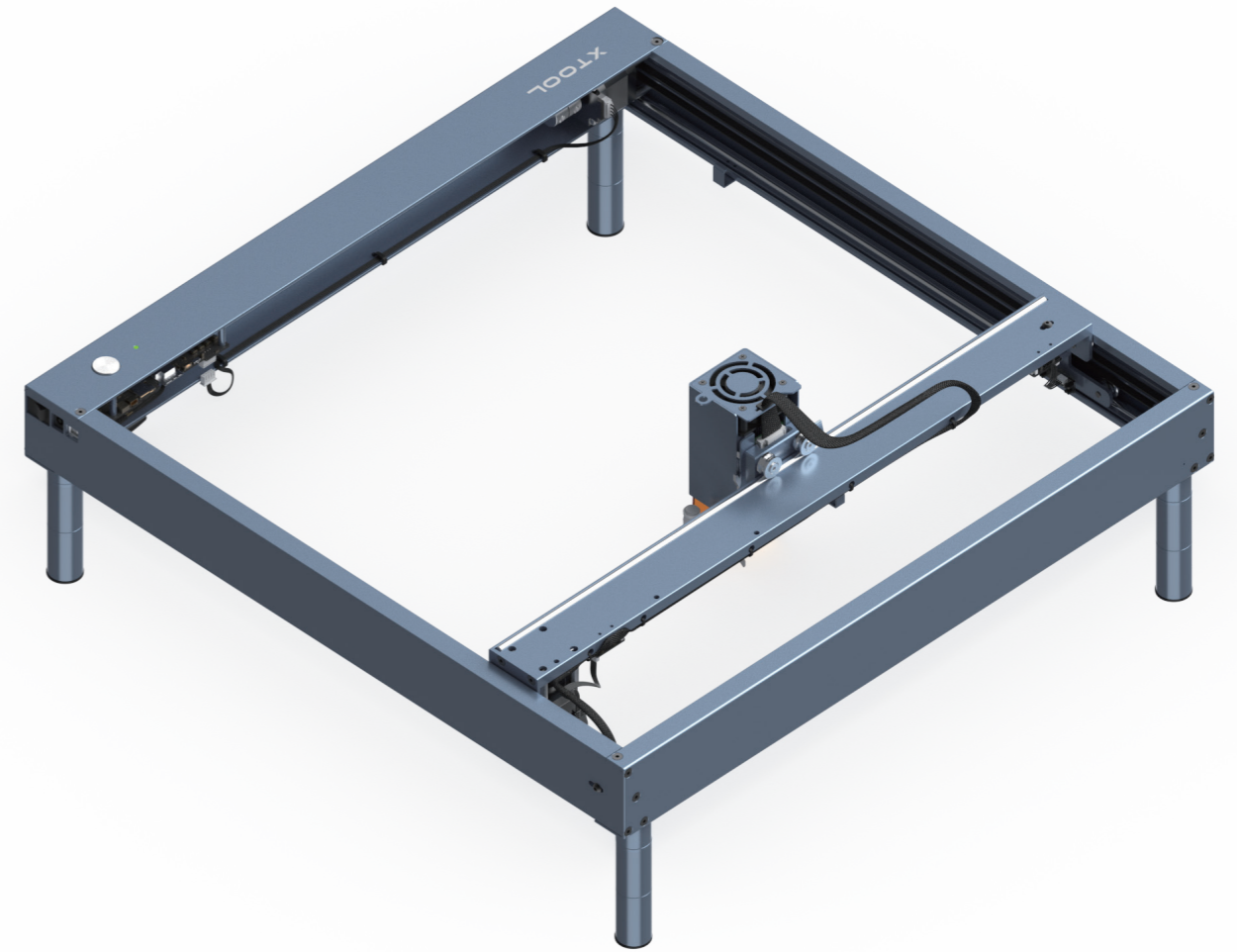
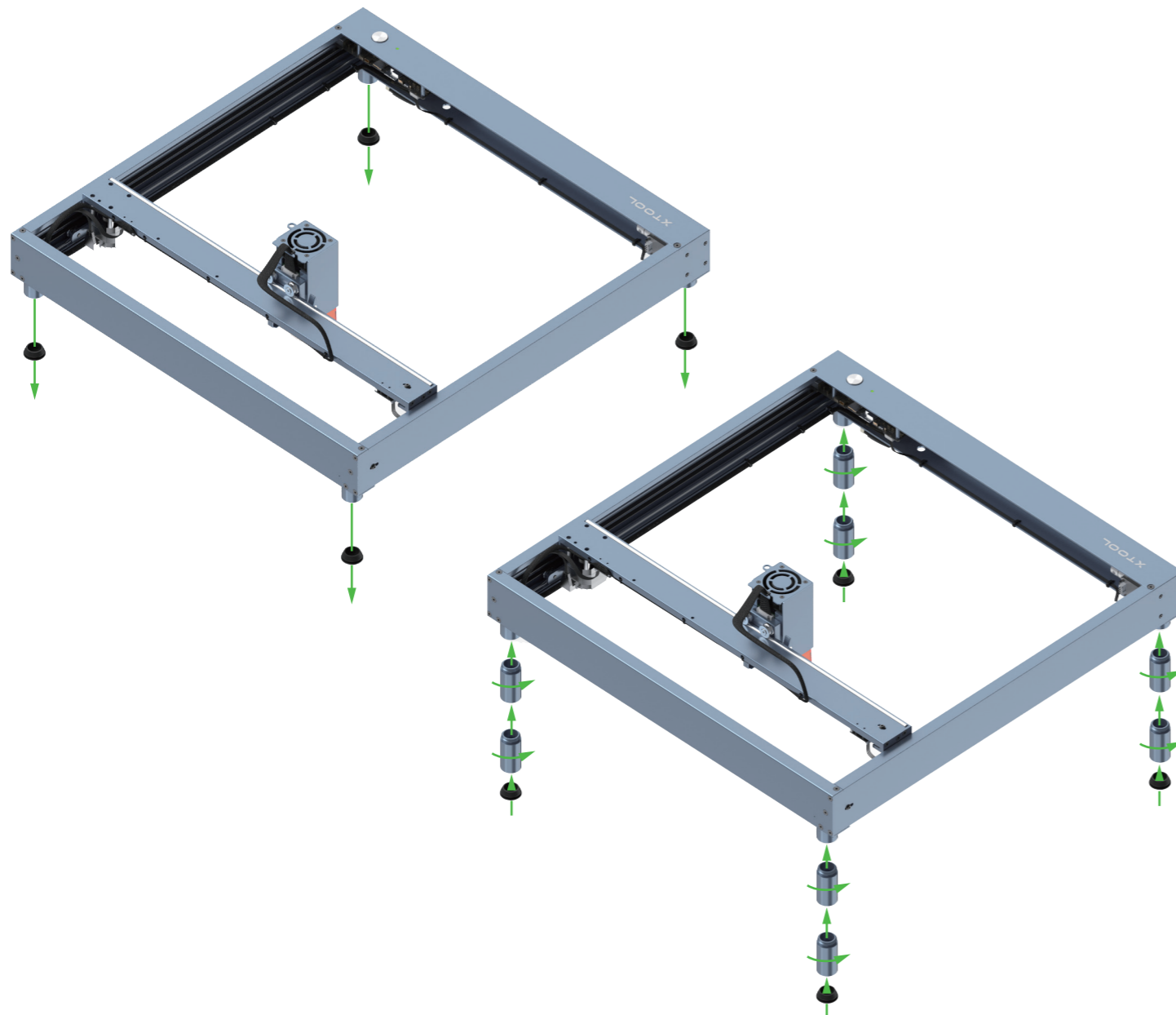


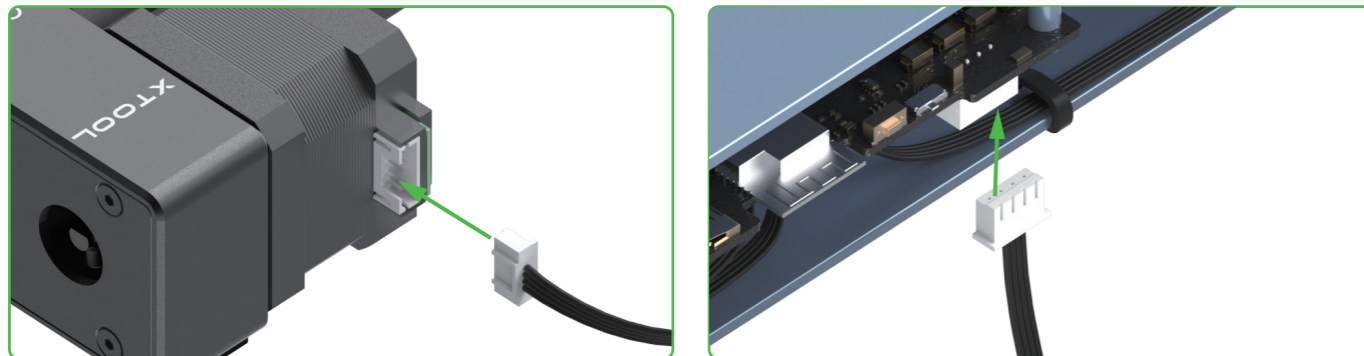
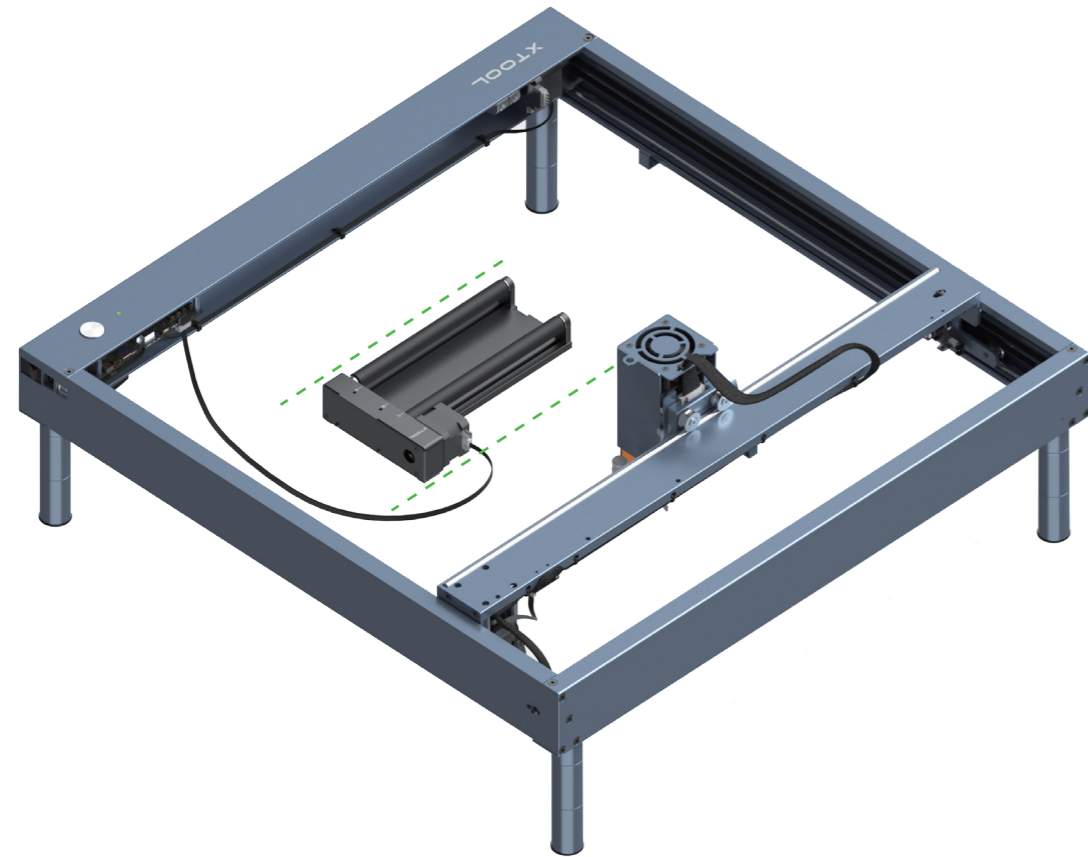
If the aluminum sheet is not flat due to film removing, you can use masking tape to stick it on your desk or floor.

Use Rotary Attachment 2



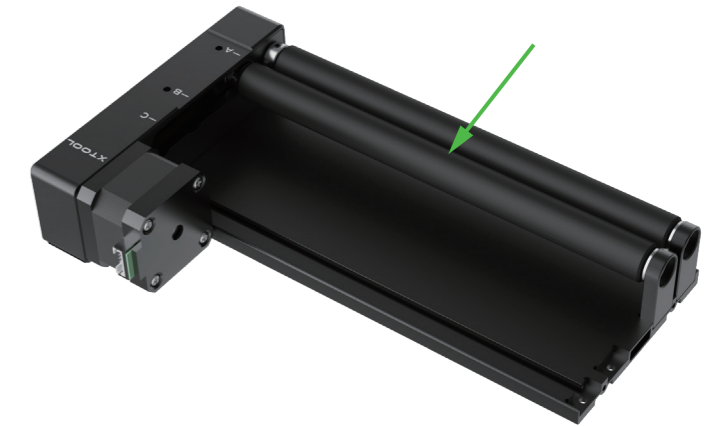
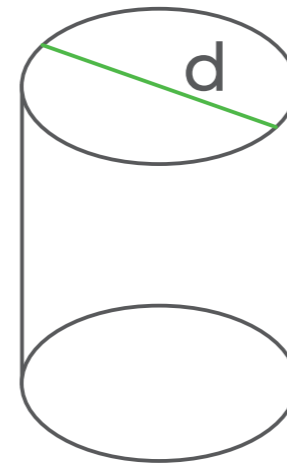
You can connect xTool D1 Pro to Rotary Attachment 2 to engrave cylindrical or irregular materials. Rotary Attachment 2 needs to work with a device and software. For details about how to use it, visit support.xtool.com.





! Place Rotary Attachment 2 parallel to the working area of xTool D1 Pro. Before you connect it to xTool D1 Pro, you may need to set its level based on the diameter of the material to be processed.

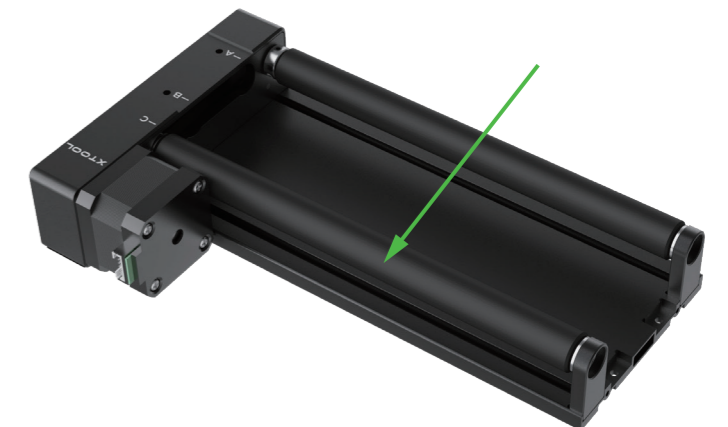
Level reference



Level A: $3\text{mm} \leq d \leq 50\text{mm}$



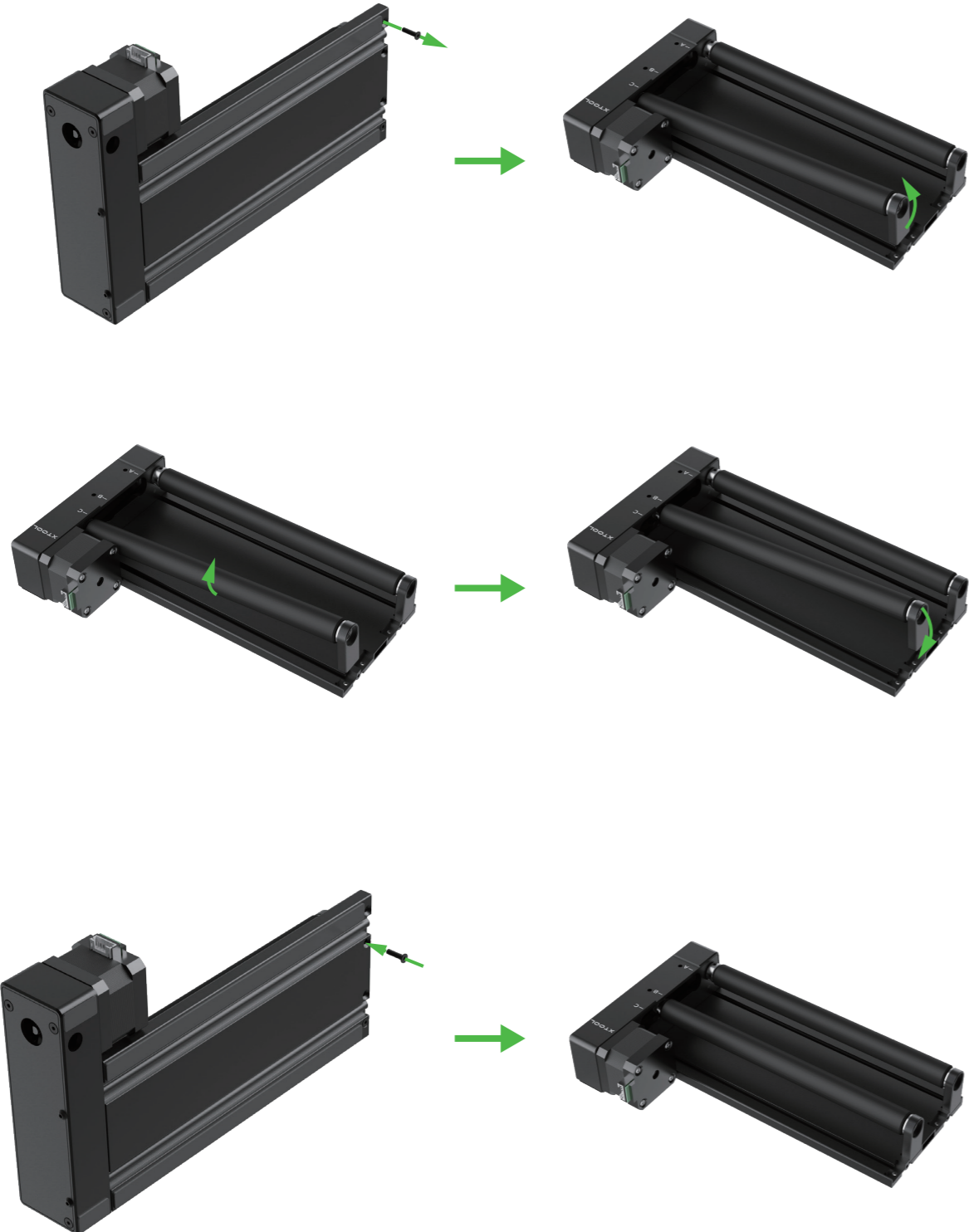
Level B: $45\text{mm} \leq d \leq 60\text{mm}$



Level C: $d > 60\text{mm}$

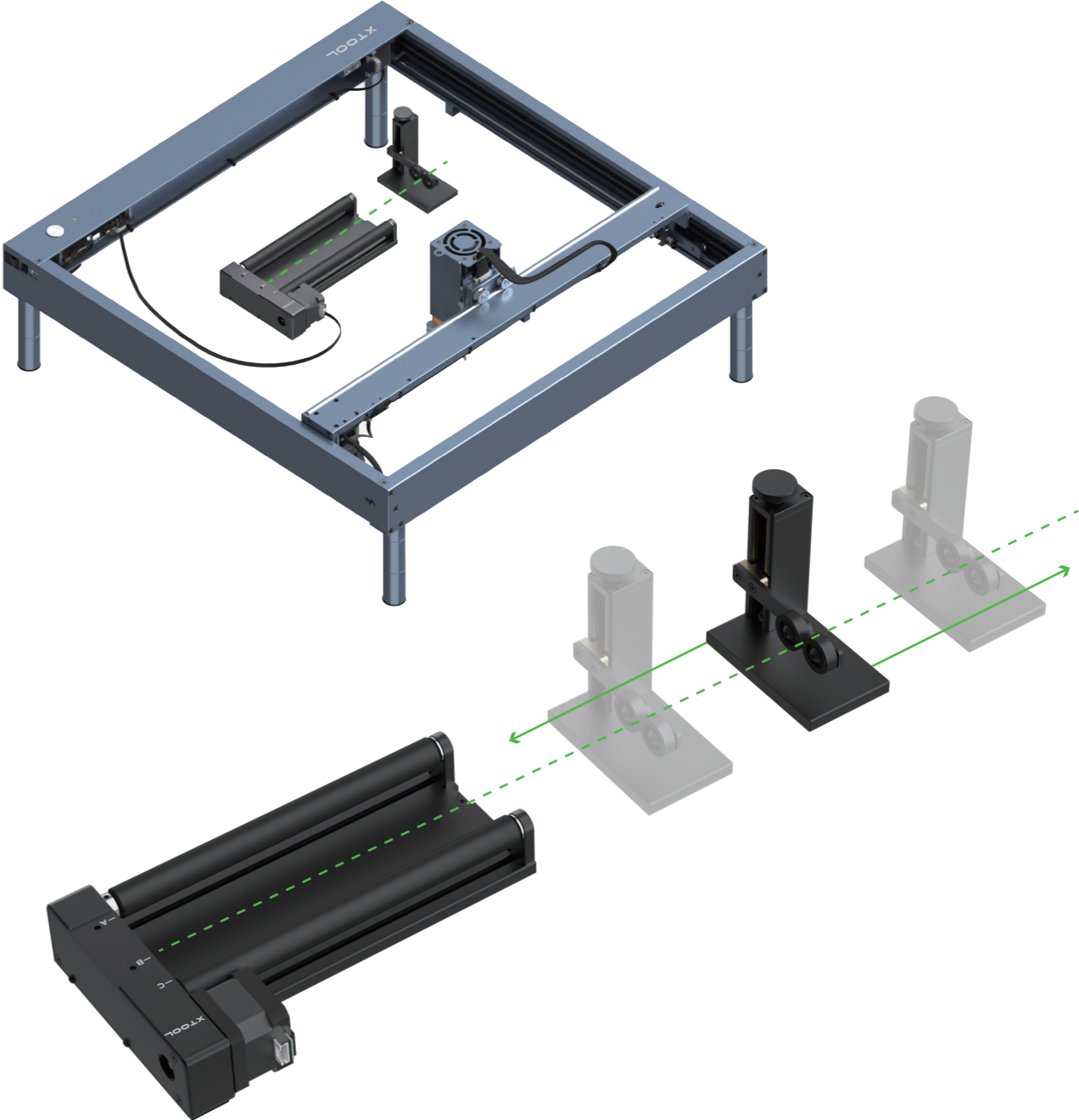
Set the level

Use the changing of the level from C to B as an example.



Use the support module

The support module is applicable to the processing of irregular objects or objects that are too long for Rotary Attachment 2.



 **Tips** You can place the support module as required.

Set the support module



Turn the knob clockwise to move the support wheels upward



Turn the knob counterclockwise to move the support wheels downward

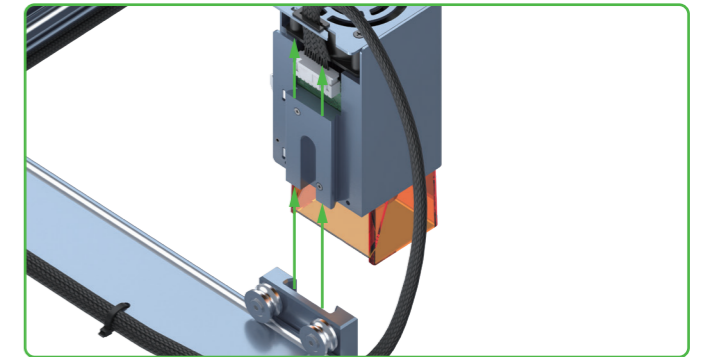
Clean the laser module



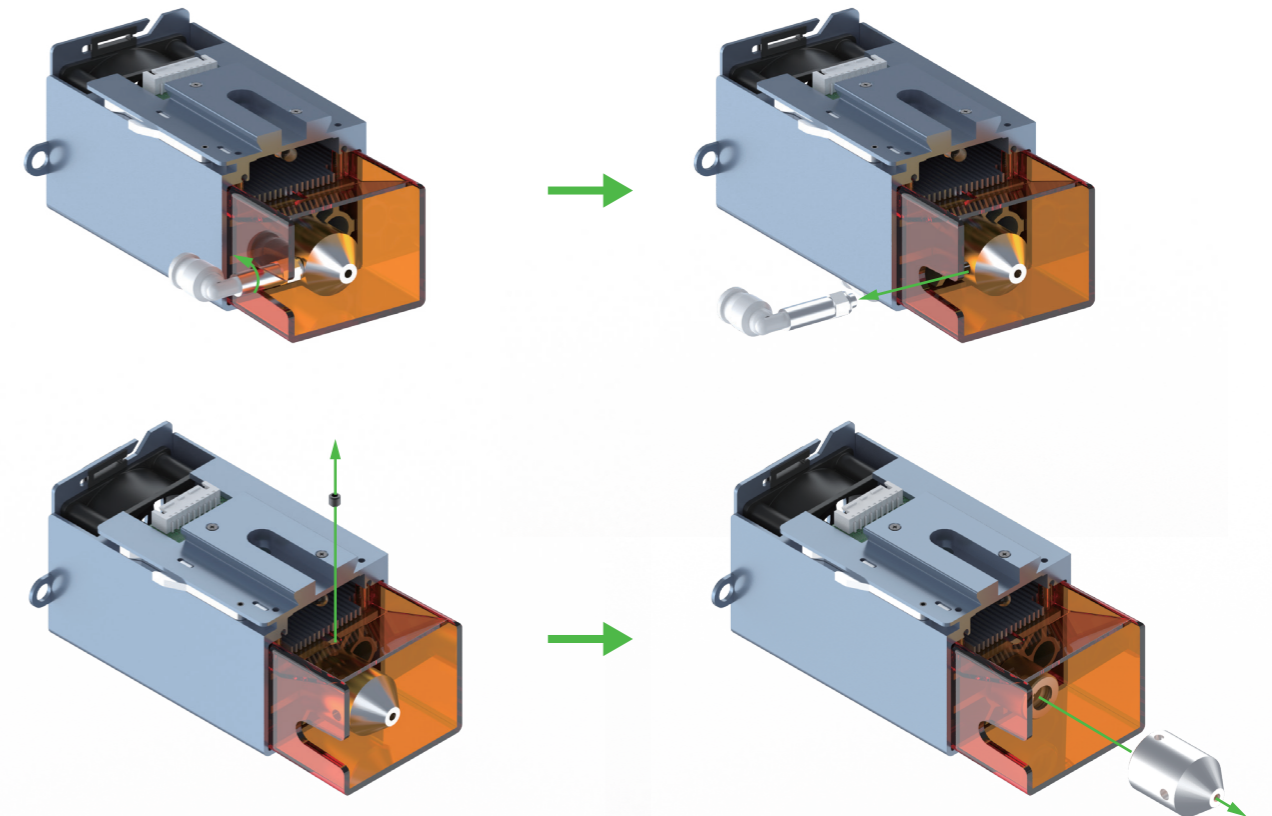
For the 20W laser module, you are advised to clean it, including the inner and outer frames of the light shield, lens, and red light outlet, every time after it has been used for one consecutive hour.

When the light shield is dirty or laser beams can't cut a material, you need to clean the laser module.

1. Turn off the device and remove the laser module from the device.



2. Remove the nozzle and its connector from the laser module.



3. Clean the inner and outer frames of the light shield with tissues or dust-free cloth moistened with alcohol; and clean the lens and red light outlet with a cotton swab moistened with alcohol.

