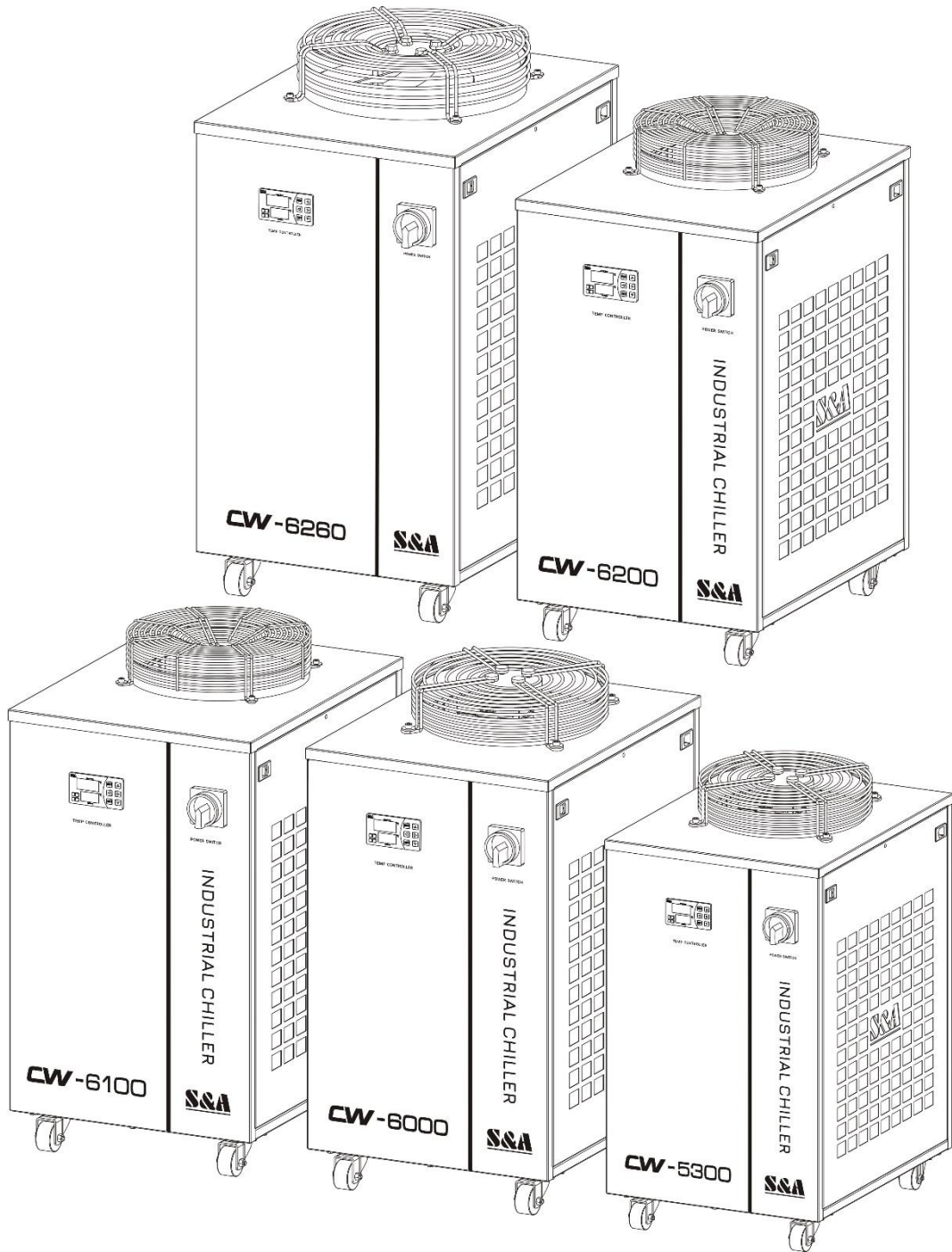


# CW-5300/6000/6100/6200/6260

## Industrial Chiller

### User Manual



## **FOREWORD**

Thanks for your purchase of our product. Please read this manual carefully before using and keep it properly so that you can refer to it whenever you need information.


This manual is not a quality guarantee. Our company reserves the right to the interpretation of the correction of misprint and improperly described information and product improvement. The revised content will be edited into the reprinted user manual without prior notice.










## CONTENTS

<b>Notice</b> -----	<b>4</b>
<b>I. Overview</b> -----	<b>7</b>
<b>II. Model Illustration</b> -----	<b>7</b>
<b>III. Product Outlines &amp; Parts</b> -----	<b>8</b>
<b>IV. Installation</b> -----	<b>9</b>
<b>V. Operating States &amp;Parameters Adjustment</b> -----	<b>11</b>
<b>VI. Alarm &amp; Output Terminal</b> -----	<b>14</b>
<b>VII. Maintenance</b> -----	<b>15</b>
<b>VIII. Simple Troubleshooting</b> -----	<b>16</b>
<b>Attachment – Schematic</b> -----	<b>17</b>

## Notice

In order to ensure your personal safety and avoid property loss, you must pay attention to this manual, but not limited to the following warning notices. General electric knowledge and safety standards should also be followed.

 **DANGER** Failure to take safety measures will result in death or serious personal injury.









Notice		Operation Guideline
 Must-do	The Operation should be carried out by professional technicians	Handling, installation of pipes, electrical, operation, maintenance, overhaul and other operations must be carried out by personnel with professional knowledge.
 Forbidden	It is forbidden to be used beyond the range of specification	It is forbidden to use the equipment beyond the range of manual specifications in order to avoid equipment damage, injury, fire, electric shock and other major accidents.
 Forbidden	It is forbidden to be used in the explosive environment	It cannot be installed in dangerous places with flammable gas.
 Must-do	Electrical connection	a) The power supply must conform to the standard indicated in the nameplate or the manual; b) Use the standard cable, and select the standard wire diameter; c) The grounding wire must be installed and the connection must be reliable; otherwise, it will cause an electric shock or fire.
	It is forbidden to operate the equipment without a cover	There are live parts inside the machine. It is forbidden to operate without a cover, as there is a risk of electric shock.
	Water-proof	Do not allow the equipment to be drenched or immersed in water, otherwise there may be a risk of short circuit and electric shock.
 Must-do	Maintenance and repair	The operation must be carried out after 3 minutes of cutting off the power supply, because the high-voltage charging part in the equipment is not discharged within 3 minutes. Working in a live state or working immediately after shutdown will cause the risk of electric shock.
	Danger High Voltage	Contact with live parts can cause serious personal injury or death.
	Danger Hot Surface	The human body or the heat-labile articles must keep away from this high temperature area. Otherwise, it will cause personal injury or property loss.

**DANGER** Failure to take safety measures will result in death or serious personal injury.

Notice		Operation Guideline
 Must-do	Transport and installation	The equipment must be firmly fixed during transport and installation. Otherwise, there will be a danger of tipping or falling.
 Must-do	Electrical protection	The power cable terminal must be equipped with the electric leakage and overload protection device according to the rated current indicated on the equipment nameplate.
 Must-do	Stop running in abnormal state	When the equipment is abnormal, as long as the cause is not clear, it is forbidden to start. Otherwise, there is a danger of damage, electric shock, fire, and injury.
 Forbidden	Do not put fingers or other things into the gap of the equipment	There are rotating parts inside the device. Do not put fingers or other things into the gap of the equipment. Otherwise, it will cause personal injury.
 Must-do	Refrigerant leakage	a) When the refrigerant leaks, please make sure that the ventilation is available. Otherwise, it may cause anesthesia and suffocation if a large amount of refrigerant fills the enclosed space; b) Avoid contacting with skin, or it will cause frostbite.

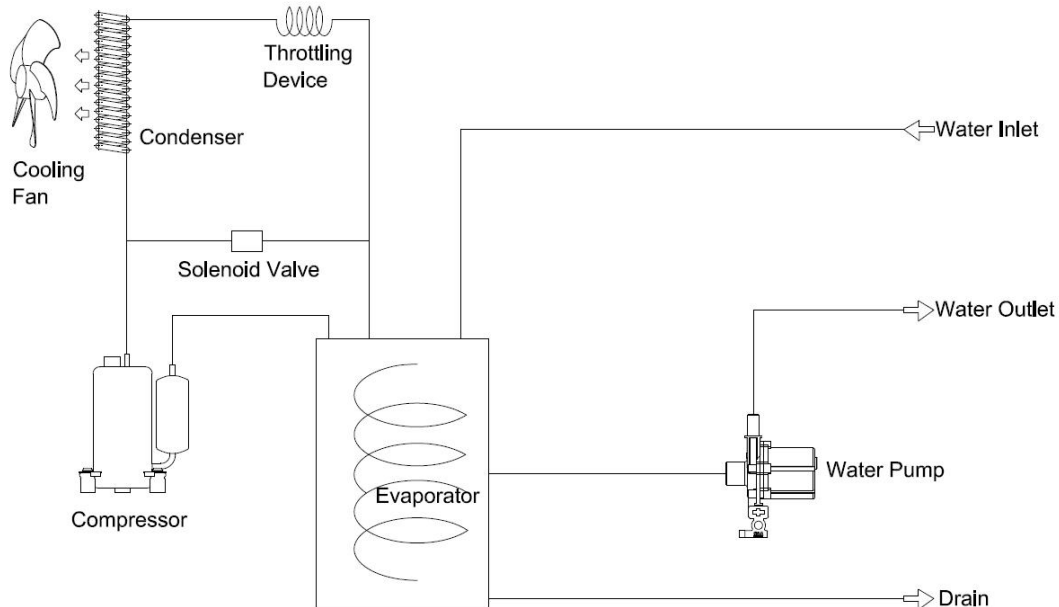
**DANGER** Failure to take safety measures will result in minor personal injury or property damage.

Notice		Operation Guideline
 Forbidden	Transportation with liquid is prohibited	The equipment is not allowed to be transported with liquid to prevent internal pipeline leakage.
 Must-do	Transport	a) The equipment should be fixed firmly before transportation to prevent the equipment from moving due to vibration and external forces. If there is excessive vibration and external force, the internal equipment may be damaged. b) Tilt angle should be $\leq 45^\circ$ . Otherwise, the refrigeration system will fail.
 Forbidden	Operating environment	a) It is forbidden to use in special environments such as high temperature, humidity, strong electromagnetic interference, etc. b) The equipment must be installed in a place where there is no direct sunlight and away from the fire sources.
 Must-do	Installation	a) The equipment must be installed on a horizontal surface. Otherwise, the refrigeration system will fail; b) It is forbidden to place objects within 1 meters around the

		air inlet and 1.5 meters around the air outlet. If the air inlet and the air outlet are blocked, the cooling ability that the equipment should have cannot be realized.
 Must-do	Before commissioning	a) Make sure that the water supply pipe of equipment is not blocked; b) It is necessary to check the water pipe and the water pump to confirm that there is a proper amount of water entering the water pump and exhaust it through the water pump exhaust valve, otherwise it will cause damage to the water pump; c) Confirm that the state of the equipment is normal and safe, otherwise there may be injury and damage.
 Warning	Gently move the motor impeller if the equipment isn't used for a long time	For equipment that has not been used for a long time, it may be difficult to start the pump at the first start. Please gently move the motor impeller before the equipment is powered on.
 Forbidden	The equipment is forbidden to be trampled on	Please do not step on or sit on the equipment. Otherwise, it may cause injury accidents such as falling or overturning
 Must-do	Clean the air filter regularly	Clean the air filter at least once a week. If it is blocked, the cooling ability will decrease and the power consumption will increase, and the alarm will not work properly.
 Must-do	Equipment surface cleaning	a) Please use cleaning agents that are non-corrosive to metals and plastics; b) Please keep the cleaning agent properly after cleaning to prevent liquid leakage; c) The container for storing the cleaning agent must be sealed completely to avoid danger.
 Forbidden	No air blowing at the water outlet	A temp sensor is installed inside the water inlet, and it is forbidden to blow air inside the device with an air gun.
 Must-do	Wear protective gloves during maintenance, inspection and cleaning	a) The sharp edges of the condenser fins may cut the skin; b) The temperature of the internal compressor and refrigerant piping is very high, and direct skin contact may cause burns.
 Must-do	Anti-freezing	a) When the ambient temperature is lower than 0 °C and the machine is shut down for a long time, it is necessary to drain the liquid and blow the water away in the system with compressed air, otherwise there is a danger of freezing and cracking the components and pipelines. b) When room temperature is lower than 0 °C , it is recommended to use antifreeze with a concentration of not more than 30% containing ethylene glycol or propylene glycol.

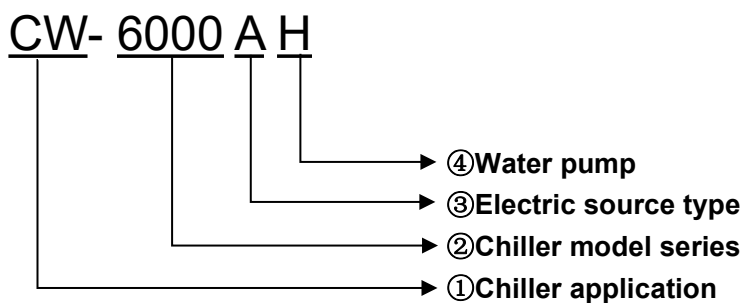
## I. Overview

This product is an industrial cooling device designed and manufactured for laser cutting, laser welding, laser marking, laser engraving and other equipment that uses laser processing. It can provide a temperature-stable cooling medium for the above application scenarios.



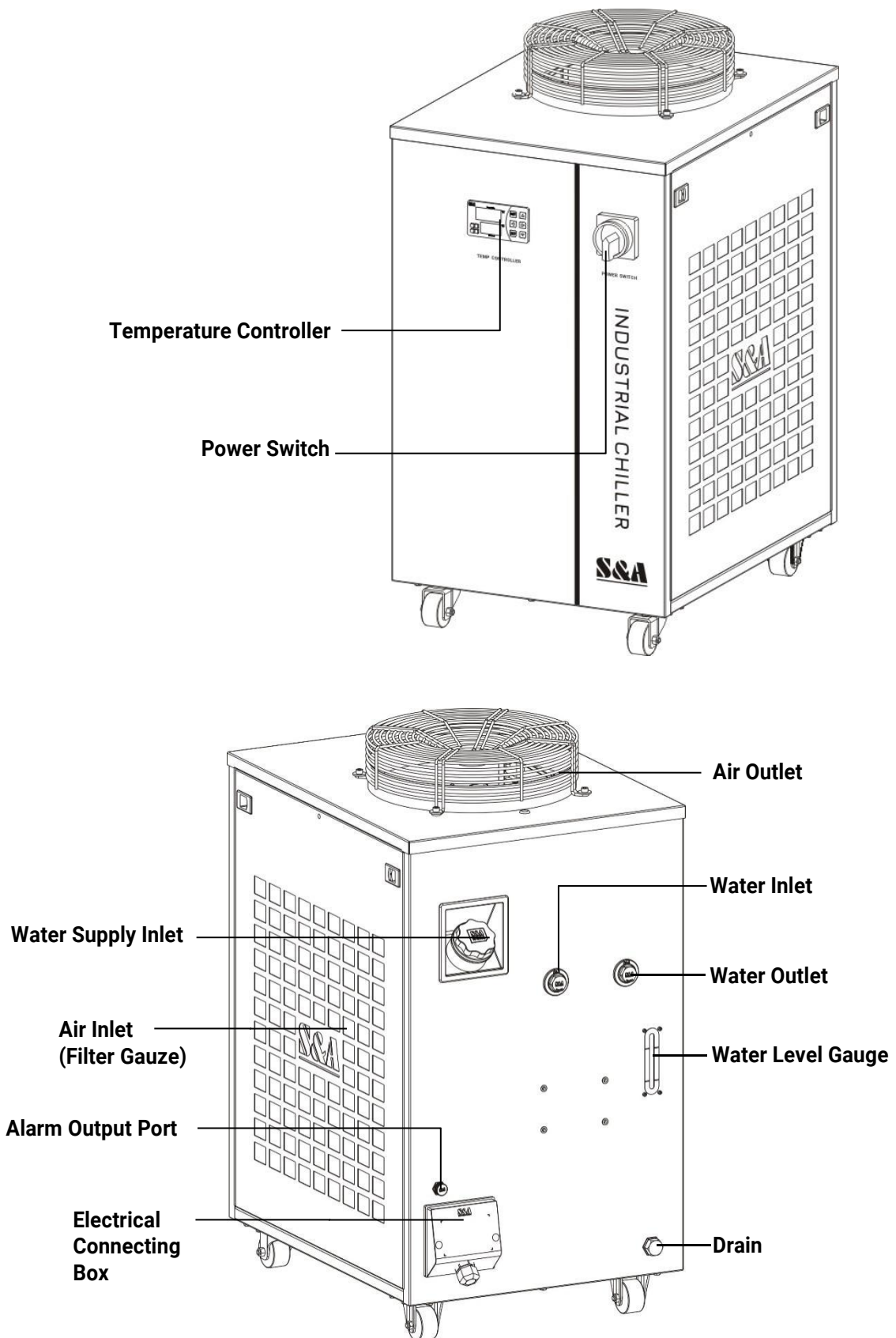
The chiller is composed of a compressor, a condenser, a throttling device (expansion valve or capillary), an evaporator, and a water pump. Its working principle is that the chiller's refrigeration system cools the water, and the water pump delivers the low-temperature cooling water to the equipment that needs to be cooled. Then the cooling water will take away the heat, heat up and return to the chiller, and then be cooled again and transported back to the equipment. In the refrigeration system of a chiller, the refrigerant in the evaporator coil absorbs the heat of the return water and vaporizes into steam. The compressor continuously extracts the generated steam from the evaporator and compresses it. The compressed high-temperature, high-pressure steam is sent to the condenser and later will release heat (heat extracted by the fan) and condense into a high-pressure liquid. After being reduced by the throttling device, it enters the evaporator to be vaporized, absorbs the heat of the water, and the whole process circulates constantly. Users can set or observe the working status of the water temperature through the temperature controller.

## II. Model Illustration



**Note:** This model description only contains the description of the company's main product codes, not all of them are listed. Please confirm with our company before ordering the specific model, our company has the final interpretation right about it.

### III. Product Outlines & Parts



**Note:** The above-mentioned product outlines and part names are only for one of the models. The outlines and parts installation may be slightly different in different models.



## IV. Installation

**1. Open the package and check whether the machine is in good condition and whether the accessories are complete.**

**2. Please ensure that the working voltage of the chiller is stable and normal.**

Because the refrigeration compressor is sensitive to the power supply voltage, the normal working voltage of our company's standard products is 210~240V (110V model is 100~120V). If wider operating voltage range is necessary, customization is available.

### **3. Equipment installation conditions and requirements.**

(1) It must be installed on a horizontal surface and not tilted.

(2) The air outlet of the chiller should be at least 1.5m away from the obstacle, and the air inlet must be at least 1m away from the obstacle (See below diagram).

(3) Do not install in harsh environments such as corrosive, flammable gas, dust, oil mist, conductive dust, high temperature and humidity, strong magnetic field, direct sunlight, etc.

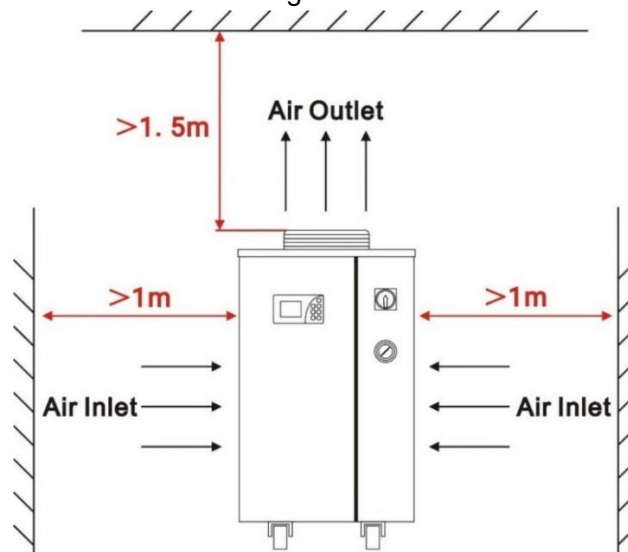
(4) Operating Environment

Ambient Temperature	Ambient Humidity	Altitude
0~40℃	≤90%RH	≤3,000m

(5) Medium Requirements

Cooling medium allowed by the chiller includes purified water, distilled water, high-purity water and other softened water. It is forbidden to use oily liquids, liquids containing solid particles, corrosive liquids, etc. Clean the filter element and replace the cooling water regularly (about three months is recommended) to ensure the normal operation of the chiller.

When the chiller is stored with water at room temperature lower than 2℃, it is necessary to add anti-freezer in the chiller water tank. It is recommended to use antifreeze with a concentration of not more than 30% containing ethylene glycol or propylene glycol. After the temperature warms up, change to purified water, distilled water or other suggested cooling media, let the chiller run for 30 minutes to remove the residual antifreeze and drain it, and then refill with unused circulating water.



**4. Determine the direction of the pipeline layout according to the water inlet and outlet of the chiller, and ensure that the waterway is clean and**

free of impurities, so as to prevent impurities from entering the waterway and causing blockage or pump failure.

**5. Plug in the power cord and turn on the power switch(It is forbidden to start without water).**

(1) After turning on the power switch, the circulating pump of the chiller starts to work. When the new machine is turned on for the first time, there will be more air bubbles in the pipeline, which will cause the machine to alarm occasionally, and it will return to normal after a few minutes of operation.

(2) After starting the machine for the first time, check if the water pipes leaks immediately.

(3) After turning on the power, if the water temperature is lower than the set temperature, it is normal that the cooling fan and other devices of the machine do not work. The temperature controller will automatically control the working status of compressors, solenoid valves, cooling fans and other components according to the set parameters.

**6. Electrical connection.**

(1) Please select the cable based on the max. rated current indicated on the label of the chiller.

(2) Recommended reference standard for power cord diameter selection.

Rated current/ A	≤5	≤10	≤15	≤25	≤35	≤50
Wire diameter (copper wire)/ mm <sup>2</sup>	1.0	1.5	2.5	4.0	6.0	10.0

**Note: This data is provided according to IEC 60204-1 standard and only for reference. Standard cables must be used in the power cord.**

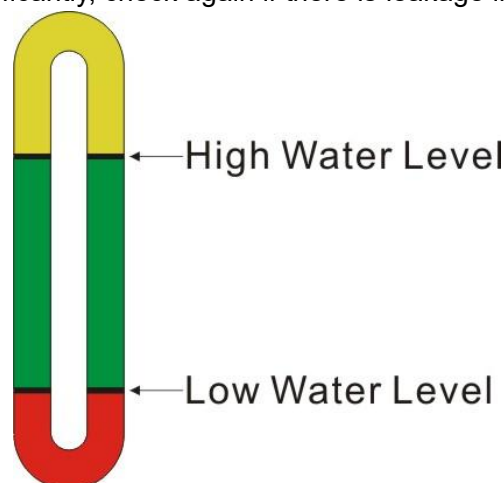
(3) The main circuit of the power supply must be equipped with appropriate electric leakage and overload protection devices, and the chiller must be well grounded.

(4) Less than ±10% of power supply voltage fluctuation and less than ±1Hz of frequency fluctuation are allowed, and keep away from electromagnetic interference sources.

**7. Fill Water & Exhaust Air.**

(1) Fill Water

After the new machine is turned on, the air in the water pipe is emptied, and the water level of the water tank will drop slightly. In order to keep the water level in the green area, you can add water again. Observe and write down the current water level. After the chiller has been running for a period of time, observe the water level gauge again. If the water level drops significantly, check again if there is leakage in the water pipes.



## (2) Exhaust Air

After adding water for the first time or replacing water, exhaust the air in the water pump to start use, otherwise the equipment will be damaged. The exhaust method is as follows:  
 Method 1: Under the state of shutting down, after adding water, remove the water outlet and connect the water pipe, drain for 2 minutes, and then install it firmly.

Method 2 : Open the water supply inlet, after starting the machine (water flows), repeatedly press and fold the water pipe several times to drain the air from the pipe.

## 8.Test-run Check.

- (1) Check whether the pipeline connection is correct, and there must be no bubbling or water leakage;
- (2) Check whether the inlet and outlet water ball valves are open and the drain valve is closed;
- (3) Check the liquid level of the water tank;
- (4) Confirm that the electrical wiring of the equipment is connected correctly;
- (5) Confirm whether the equipment is grounded.

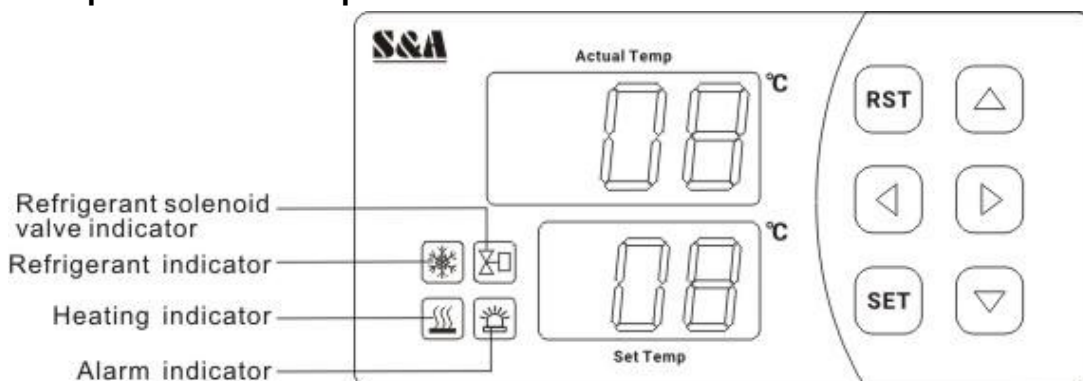
## V. Operating States &Parameters Adjustment

The new T-506D intelligent temperature controller is designed with intelligent control mode. It will self-adjust controlling parameters according to room temperature for meeting equipment cooling requirements.

The new T-506E intelligent temperature controller is designed with constant temperature control mode with water temperature maintained at 25°C. Users can adjust it as needed.

T-506D and T-506E controllers are of same functions and structure except factory setting.

### 1.Temperature control panel introduction



### 2.Indicators of temperature controller working status

Refrigeration indicator - During refrigeration process, this indicator is on. In constant temperature control mode, this indicator is off. During the delay process, this indicator flashes.

Refrigerant solenoid valve indicator - When connected, this indicator is on. When disconnected, this indicator is off.

Heating indicator - When connected, this indicator is on. When disconnected, this indicator is off.

Alarm indicator - When connected, this indicator is on. When disconnected, this indicator is off.

### 3.Quick setting

Press “SET” key to set the temperature. The upper window indicates F0 (F1 is indicated in intelligent control mode) while the lower window flashes with current value. Then press or key to change the value which will be memorized by the temperature

controller. Press “RST” key to save the data and exit.

**4. Press  $\triangleright$  key once to enter status display menu and it indicates t1 which suggests temperature of room temperature sensor.**

**Press  $\triangleright$  key twice to indicate t2 which suggests flow rate.**

**Press  $\triangleright$  key three times to return to normal operation.**

**5. When first powered on, press  $\nabla$  key to cancel delay time and connect the compressor.**

**6. User parameter setting (F0~F11 is available)**

$\triangle$  and  $\nabla$  keys are for changing and saving data.  $\triangleleft$  and  $\triangleright$  keys are for switching items. Press and hold the  $\triangle$  key while press “SET” key for 6 seconds to enter parameter setting until the lower window indicates PAS and the upper window indicates 00. Press  $\triangle$  or  $\nabla$  key to revise password (F7 is for revising password) and then press “SET” key. If the password is correct, the lower window indicates F0 and the parameter is available for revision. If the password is wrong, it will return to temperature display. If there is no action within 20 seconds, the temperature controller will also automatically exit parameter setting status. Press “RST” key to save the data and exit.

**7. Restore to factory settings**

After the power is on for 30 seconds, press and hold  $\triangle$  and  $\nabla$  keys for 3 seconds until it displays “rE”. The supplier parameter and user parameter will restore to factory value. 3 seconds later, it will return to temperature display.

**8. Advanced parameters adjustment case**

Order	Code	Items	Value in Case 1	Value in Case 2
1	F0	Temperature setting		25
2	F1	Temperature Difference Values	-3	
3	F2	Refrigeration return difference	0.5	2.0
4	F3	Way of control	1	0
5	F4	Alarm for over high water temperature	15	5
6	F5	Alarm for over low water temperature	15	10
7	F6	Alarm for over high room temperature	45	45
8	F7	Password	8	8
9	F8	The allowed highest water temperature	31	30
10	F9	The allowed lowest water temperature	25	5
11	F10	Flow alarm	0.5	0.5
12	F11	Communication address	1	1

Case 1: Cooling water temperature is controlled by intelligent control mode. Requiring water temperature to be between 25°C to 31°C. The target water temperature is 3°C lower than room temperature. When room temperature remains, the water temperature fluctuation shall not exceed  $\pm 0.5$ °C. There will be an alarm when water temperature is 15°C lower or higher than target water temperature (e.g. when room temperature is 30.0°C, cooling water temperature is between 27.5°C to 26.5°C. If room temperature is up to 30.5°C, water temperature will be between

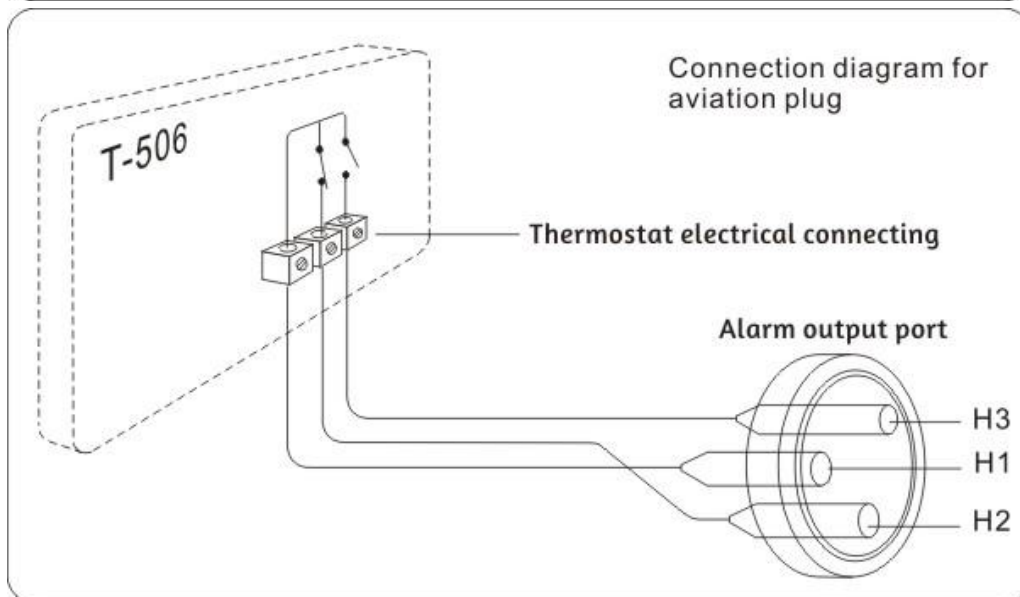
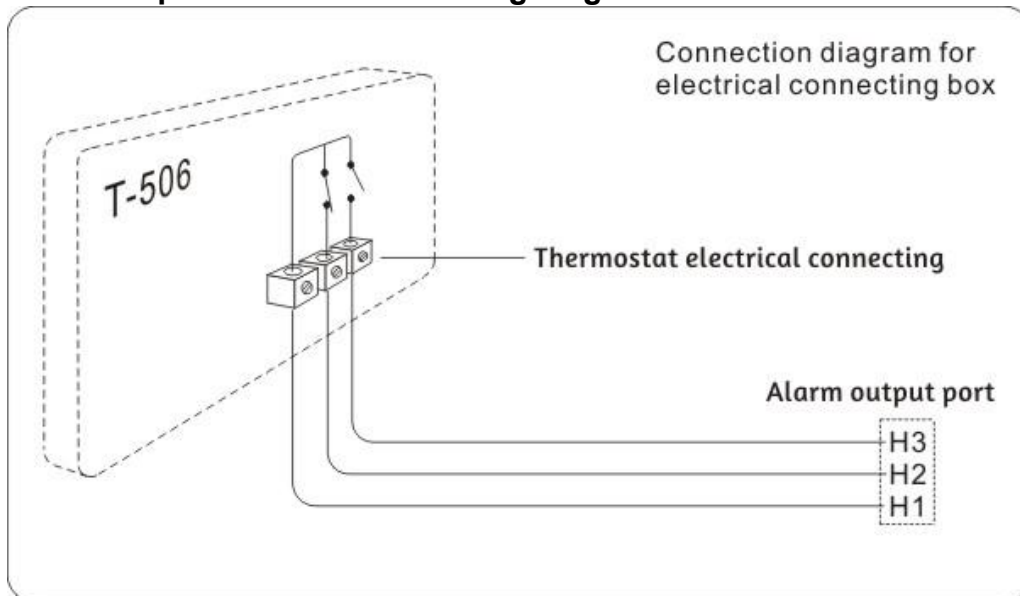
28.0°C to 27.0°C).

Case 2: Cooling water temperature is controlled by constant temperature control mode. Requiring water temperature to remain at 25 °C , and the water temperature fluctuation does not exceed  $\pm 2^{\circ}\text{C}$  . The alarm of over high water temperature will be on when water temperature is 5°C higher than the set water temperature, and the alarm of over low water temperature will be on when water temperature is 10 °C lower than the set water temperature. Users can easily adjust water temperature between 5°C and 30°C through user setup.

## VI. Alarm & Output Terminal

In order to guarantee the equipment will not be affected while abnormal situation happens to the chillers, the chillers are designed with alarm protection function.

### 1. Alarm output terminals and wiring diagram.



## 2. Alarm causes and working status table.

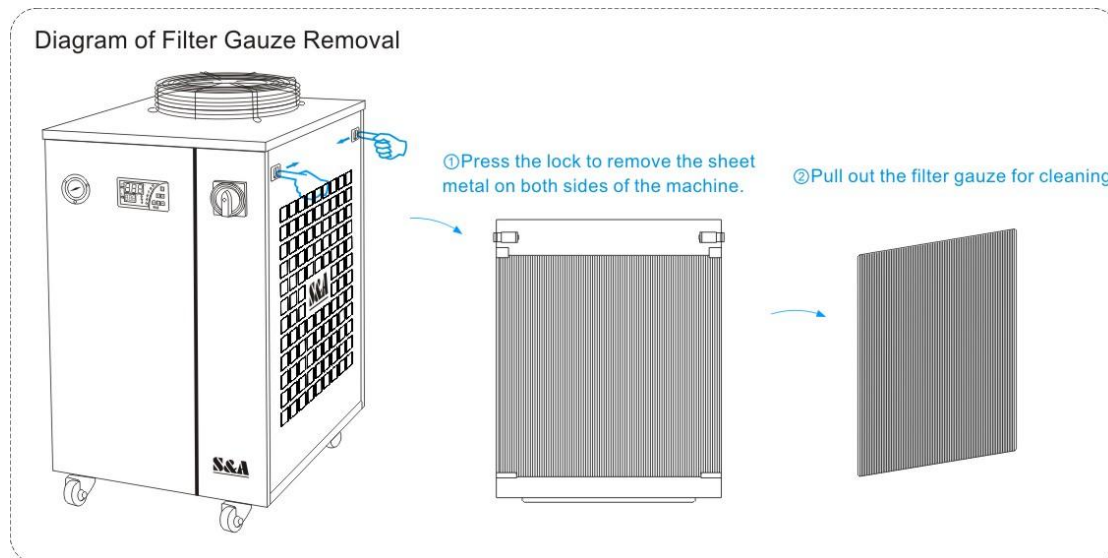
Condition	Display	Alarm code	Buzzer	OUT H1、H2	OUT H1、H3
Circulating pump works properly				Disconnection	Breakover
Ultrahigh room temperature alarm		E1	Sounds	Breakover	Disconnection
Ultrahigh water temperature alarm		E2	Sounds	Breakover	Disconnection
Ultralow water temperature alarm		E3	Sounds	Breakover	Disconnection
Ambient temperature sensor failure		E4	Sounds	Breakover	Disconnection
Water temperature sensor failure		E5	Sounds	Breakover	Disconnection
Switch type flow alarm/ liquid level alarm		E6	Sounds	Breakover	Disconnection
Sensor type flow alarm		E7	Sounds	Breakover	Disconnection
Chiller power failure				Breakover	Disconnection

**Note:** The alarm output port is connected with a set of normally open and normally closed contacts of the relay inside the machine. The working current should be smaller than 3A while the working voltage should be smaller than 300V.

## VII. Maintenance

The equipment must be shut down for maintenance, and the power supply must be cut off. The operation can only be carried out after 3 minutes, otherwise there will be a risk of electric shock. When the room temperature is lower than 2°C, the internal water must be drained when the machine is shut down for a long time.

Regularly disassemble the filter gauze for cleaning and use a compressed air gun to blow away the dust on the condenser (about 1 week is suggested and the air filter must not be missing for a long time).

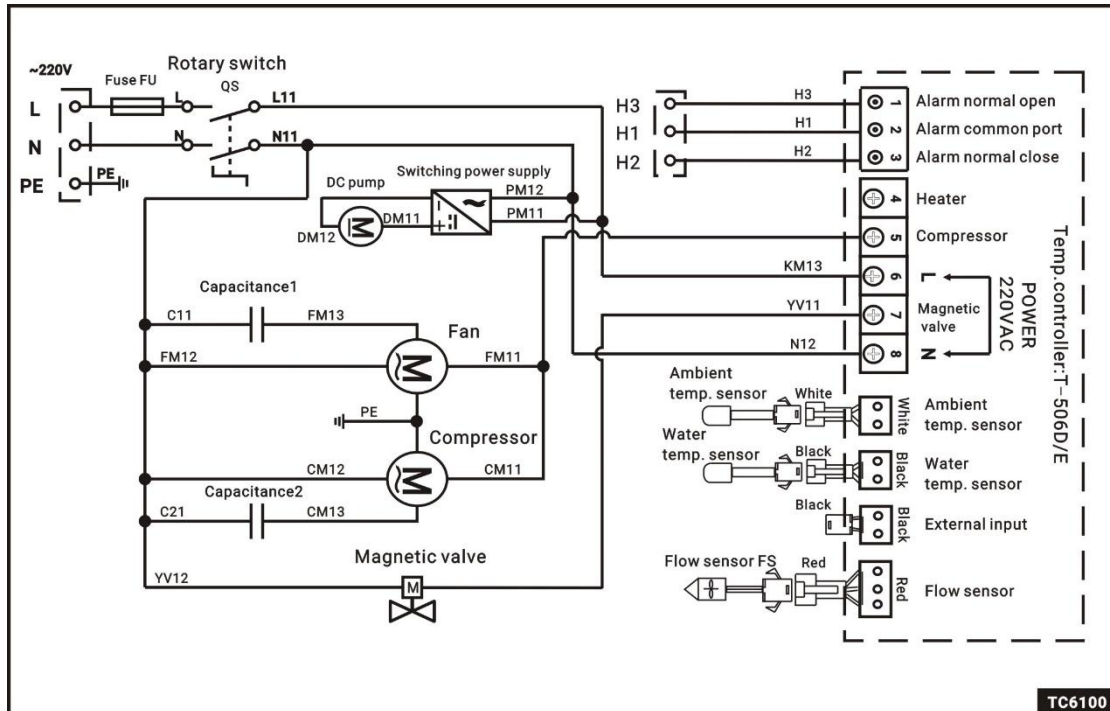


## VIII. Simple Troubleshooting

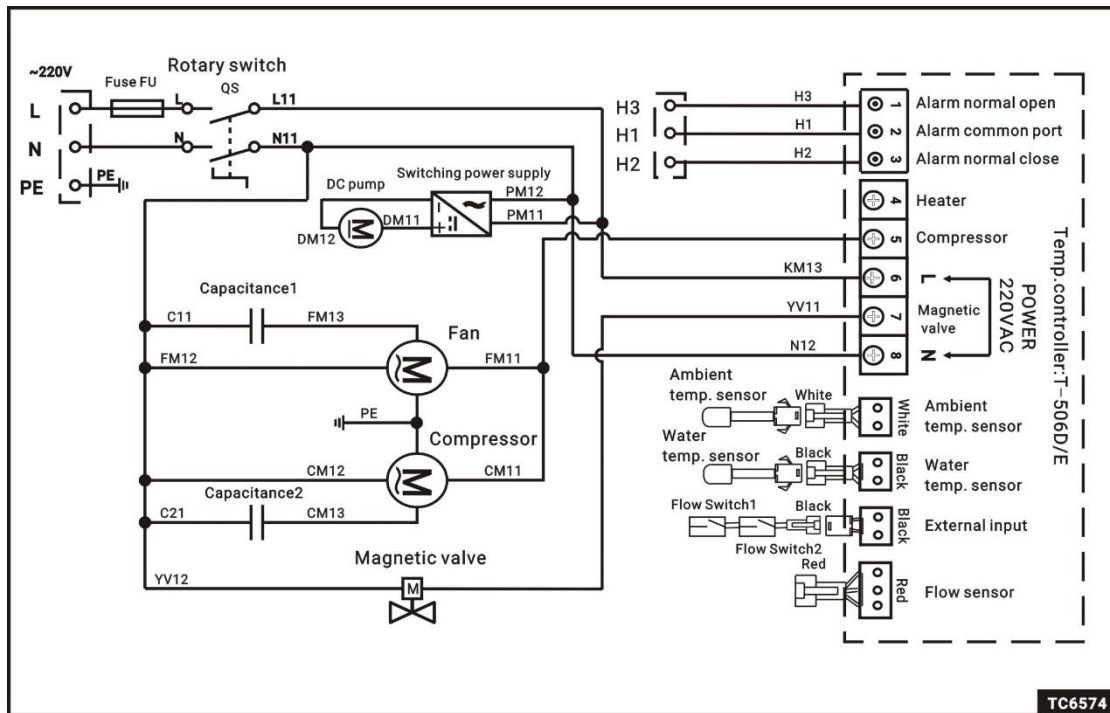
Failure	Failure Cause	Approach
Machine turned on but unelectrified	Power cord is not plugged in place	Check and ensure the power interface and the power plug is plugged in place and in good contact.
	Fuse burnt-out	Open the electric box cover, check the fuse and replace with a spare one if necessary. Check whether the power supply voltage is stable; Check and ensure the power interface and the power plug are in good contact.
Flow Alarm. Use a water pipe to directly connect to the water outlet and inlet but still without water flowing	Water level in the water tank is too low	Check the water level gauge display, add water until the level shows in the green area; And check whether water circulation pipe leaks.
Flow alarm occurs while chiller is connecting to other equipment, but there is water flowing and no alarm when a water pipe is directly connected to the chiller water outlet and inlet.	Water circulation pipes are blocked or a pipe bending deformation.	Check water circulation pipe
Ultrahigh water temperature alarm	Blocked dust gauze, bad thermolysis	Disassemble and clean the dust gauze regularly
	Poor ventilation for air outlet and inlet	To ensure a good ventilation for air outlet and inlet
	Voltage is extremely low or unstable	To improve the power supply circuit or use a voltage regulator
	Improper parameter settings on thermostat	To reset controlling parameters or restore factory settings
	Switch the power on and off frequently	To ensure there is sufficient time for refrigeration (more than 5 minutes)
	Excessive heat load	Reduce the heat load or use other model with larger cooling capacity
Ultrahigh room temperature alarm	The room temperature is too high for the chiller	To improve the ventilation to guarantee that the machine is running below 40°C room temperature.
Serious problem of condensate water	Water temperature is much lower than ambient temperature, high humidity	Increase water temperature or to preserve heat for pipeline
Water drains slowly from drain port during water changing	Water supply inlet is not open	Open the water supply inlet
Startup flow alarm	Bubble in the water pipe	Exhaust the air



## Attachment – Schematic CW-5300 (flow sensor)

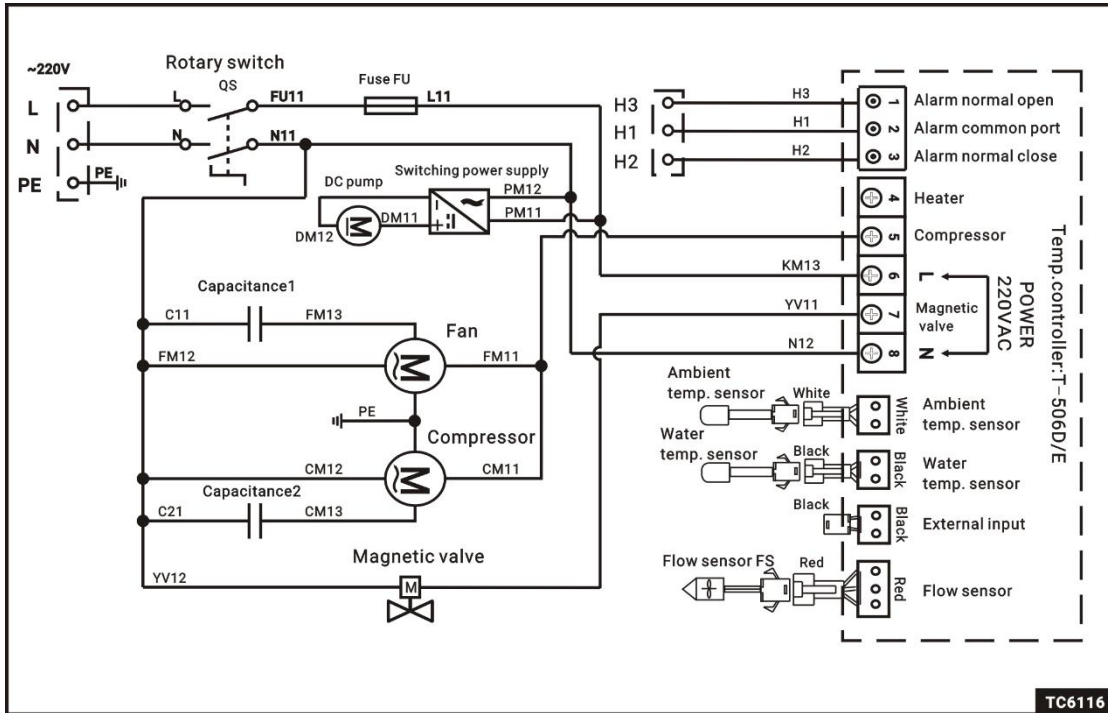


## CW-5300 (flow switch)

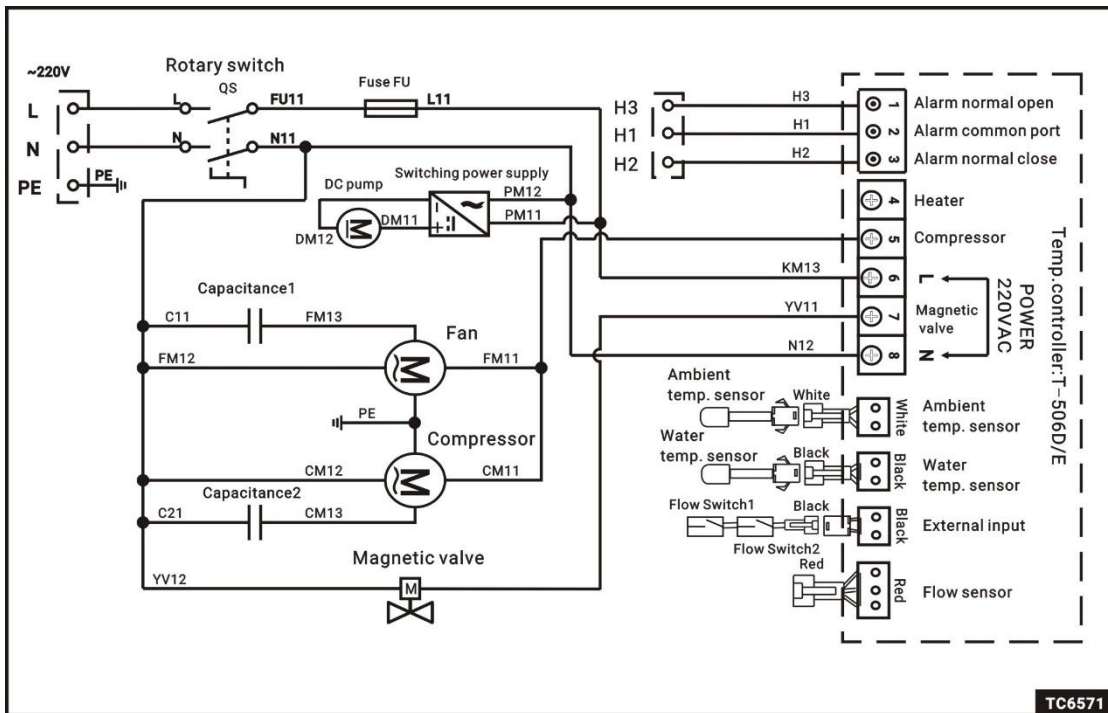




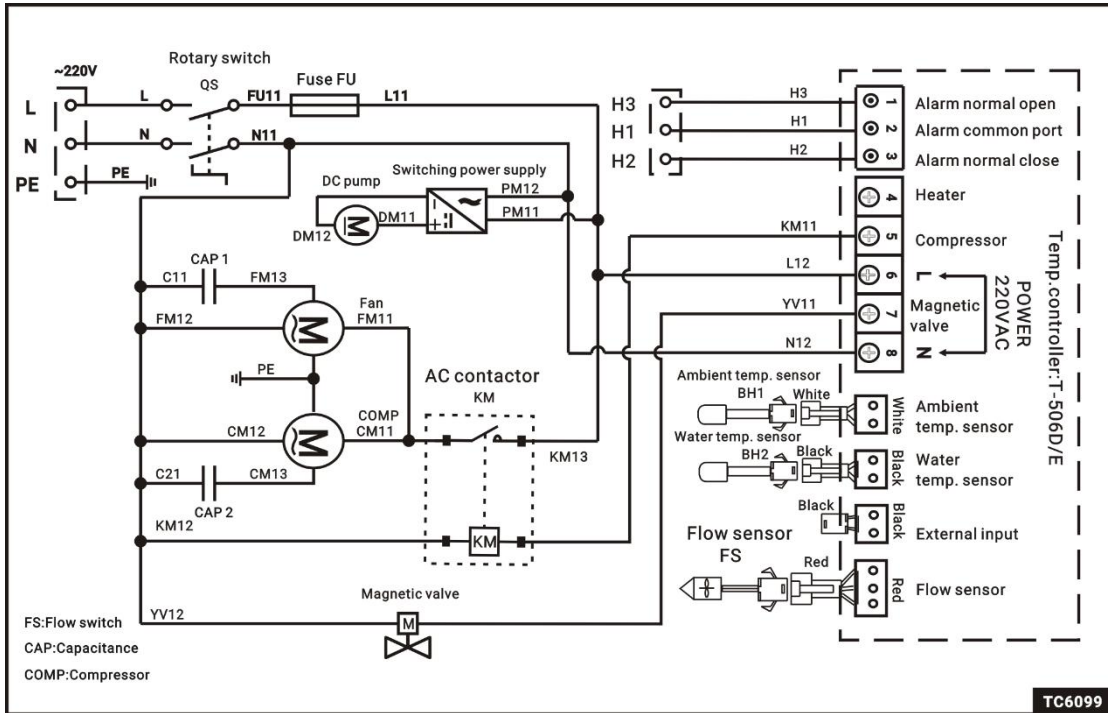
### CW-6000 (flow sensor)



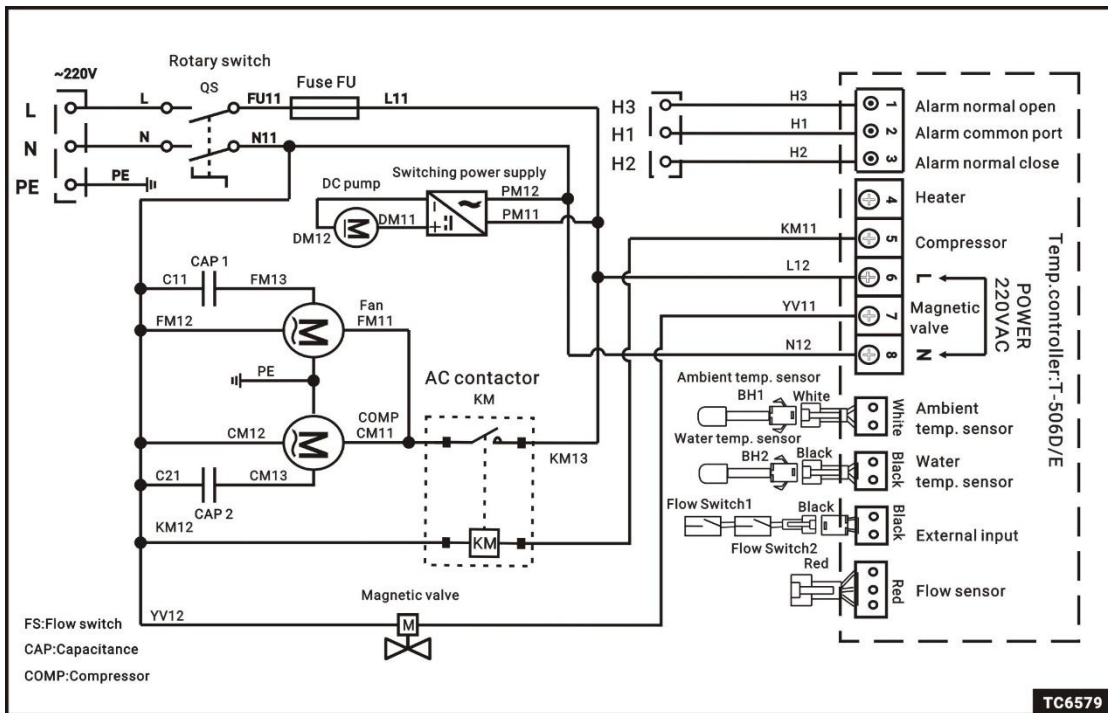
### CW-6000 (flow switch)



### CW-6100/6200 (flow sensor)



### CW-6100/6200 (flow switch)



### CW-6260 (flow sensor)

